

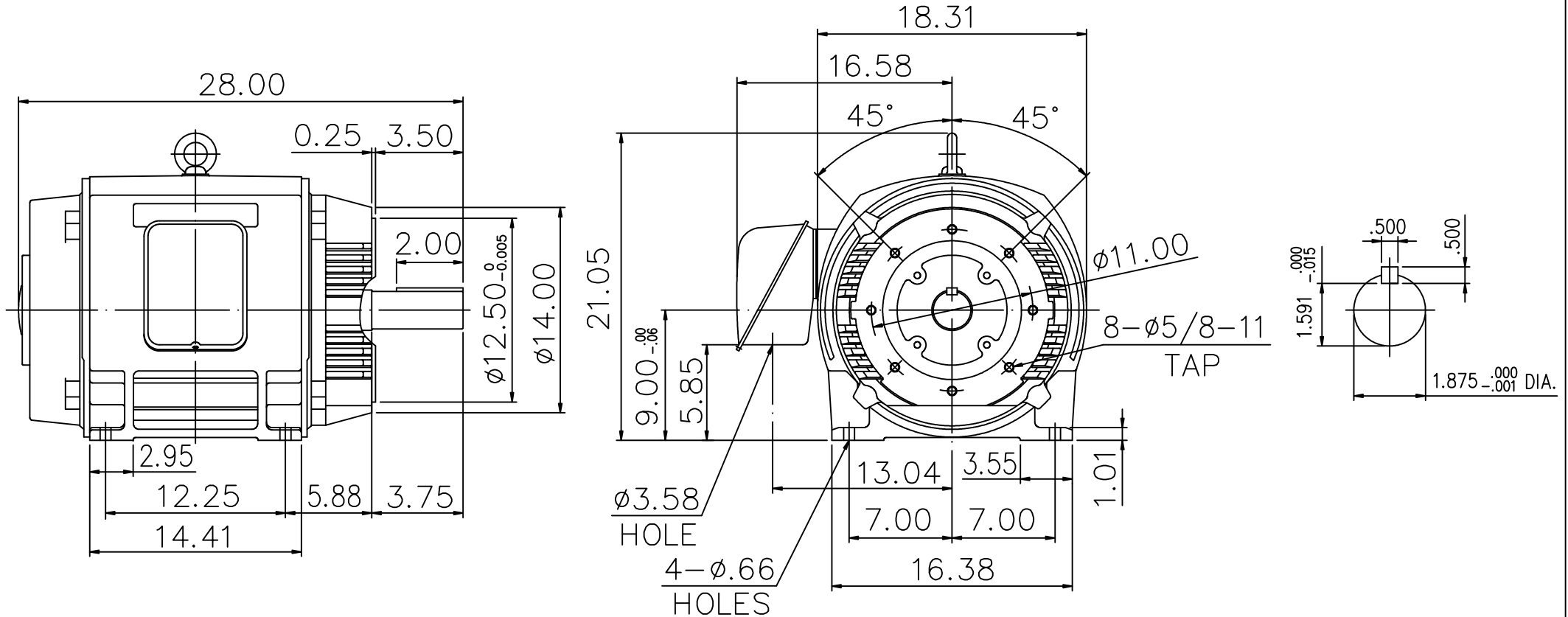
SUPER-MAX ALTERNATING CURRENT MOTORS

SQUIRREL-CAGE INDUCTION

CAST-IRON FRAME

ENCLOSURE: OPEN DRIP PROOF
 MOUNTING: FOOT
 COOLING: SELF-VENTILATION

FRAME 365TSC



- (1) DIMENSIONS ARE IN INCHES.
- (2) APPROXIMATE WEIGHT = 100HP, 2P, - 812LBS.
- (3) DRIVE END BEARING 6313C3
 OPPOSITE DRIVE END BEARING 6313C3
- (4) INTERNAL VOLUME OF CONDUIT BOX=244 CU, IN.

| OUTPUT | POLE | SYN. SPEED | VOLT | FREQ. | CERTIFIED BY _____ DATE _____ |
|------------------------|------|------------|------|-------|--|
| | | | | | DR. BY <u>W. D. KUD</u> CK. BY <u>L. J. LEE</u> APP. BY <u>T. M. LIAD</u> DATE <u>JUN. 18. 2010</u> |
| DIMENSION SHEET | | | | | AS-992199 |