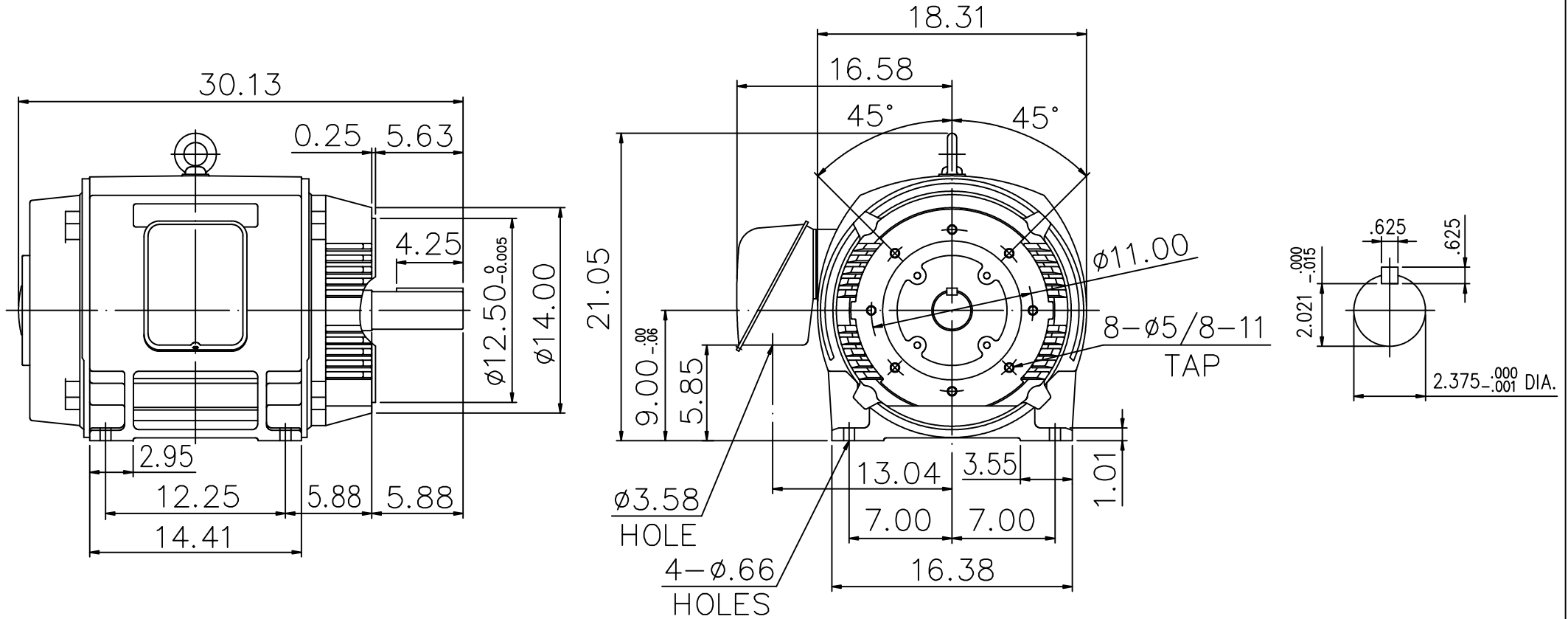


SUPER-MAX ALTERNATING CURRENT MOTORS SQUIRREL-CAGE INDUCTION CAST-IRON FRAME

ENCLOSURE: OPEN DRIP PROOF
MOUNTING: FOOT
COOLING: SELF-VENTILATION

FRAME 365TC



- (1) DIMENSIONS ARE IN INCHES.
- (2) APPROXIMATE WEIGHT = 75 HP, 4 P, - 838 LBS.
50 HP, 6 P, - 838 LBS.
- (3) DRIVE END BEARING 6314
OPPOSITE DRIVE END BEARING 6313
- (4) INTERNAL VOLUME OF CONDUIT BOX=244 CU, IN.

OUTPUT	POLE	SYN. SPEED	VOLT	FREQ.	CERTIFIED BY _____ DATE _____
TATUNG					DIMENSION SHEET
DR. BY <u>W. D. KUD</u> CK. BY <u>L. J. LEE</u> APP. BY <u>T. M. LIAD</u> DATE <u>JUN. 18. 2010</u>					AS-992200