

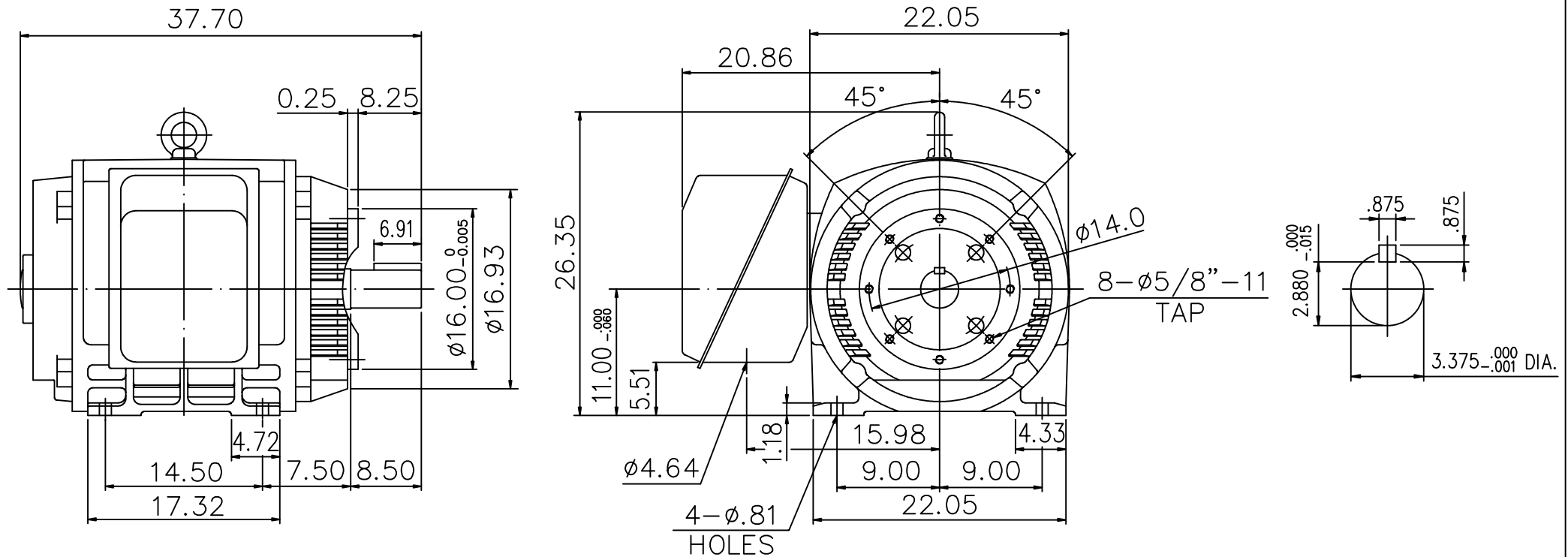
# SUPER-MAX ALTERNATING CURRENT MOTORS

## SQUIRREL-CAGE INDUCTION

### CAST-IRON FRAME

ENCLOSURE: OPEN DRIP PROOF  
 MOUNTING: FOOT  
 COOLING: SELF-VENTILATION

FRAME 444T



- (1) DIMENSIONS ARE IN INCHES.
- (2) APPROXIMATE WEIGHT =150 HP, 4 P, -1494LBS.  
100 HP, 6 P, -1494LBS.
- (3) DRIVE END BEARING 6318  
OPPOSITE DRIVE END BEARING 6318
- (4) INTERNAL VOLUME OF CONDUIT BOX=1185 CU, IN.

OUTPUT	POLE	SYN. SPEED	VOLT	FREQ.	CERTIFIED BY _____ DATE _____
					DR. BY <u>W. D. KUO</u> CK. BY <u>L. J. LEE</u> APP. BY <u>T. M. LIAD</u> DATE <u>JUN. 18. 2010</u>
<b>DIMENSION SHEET</b>					<b>AS-992206</b>