

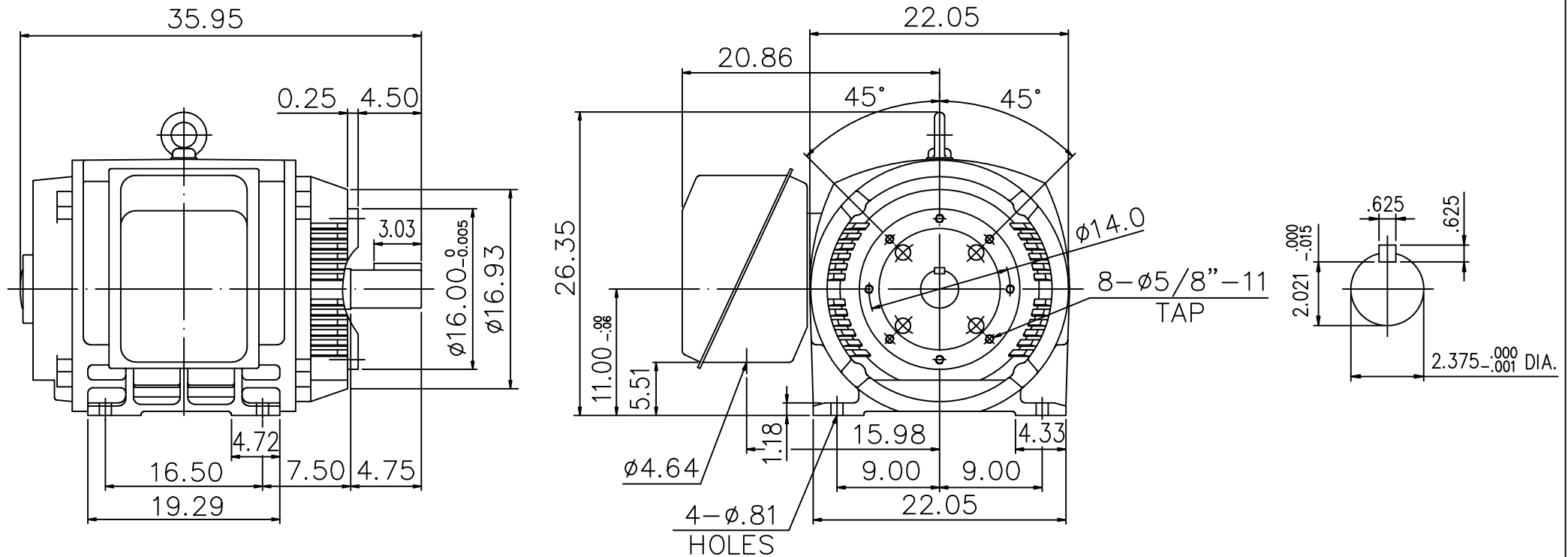
# SUPER-MAX ALTERNATING CURRENT MOTORS

## SQUIRREL-CAGE INDUCTION

### CAST-IRON FRAME

ENCLOSURE: OPEN DRIP PROOF  
 MOUNTING: FOOT  
 COOLING: SELF-VENTILATION

FRAME 445TSC



- (1) DIMENSIONS ARE IN INCHES.
- (2) APPROXIMATE WEIGHT = 250HP, 2P, -1800LBS.
- (3) DRIVE END BEARING 6313C3  
 OPPOSITE DRIVE END BEARING 6313C3
- (4) INTERNAL VOLUME OF CONDUIT BOX=1185 CU, IN.

OUTPUT	POLE	SYN. SPEED	VOLT	FREQ.	CERTIFIED BY _____ DATE _____
					<b>DIMENSION SHEET</b>
DR. BY <u>W. D. KUO</u> CK. BY <u>L. J. LEE</u> APP. BY <u>T. M. LIAD</u> DATE <u>JUN. 18. 2010</u>					