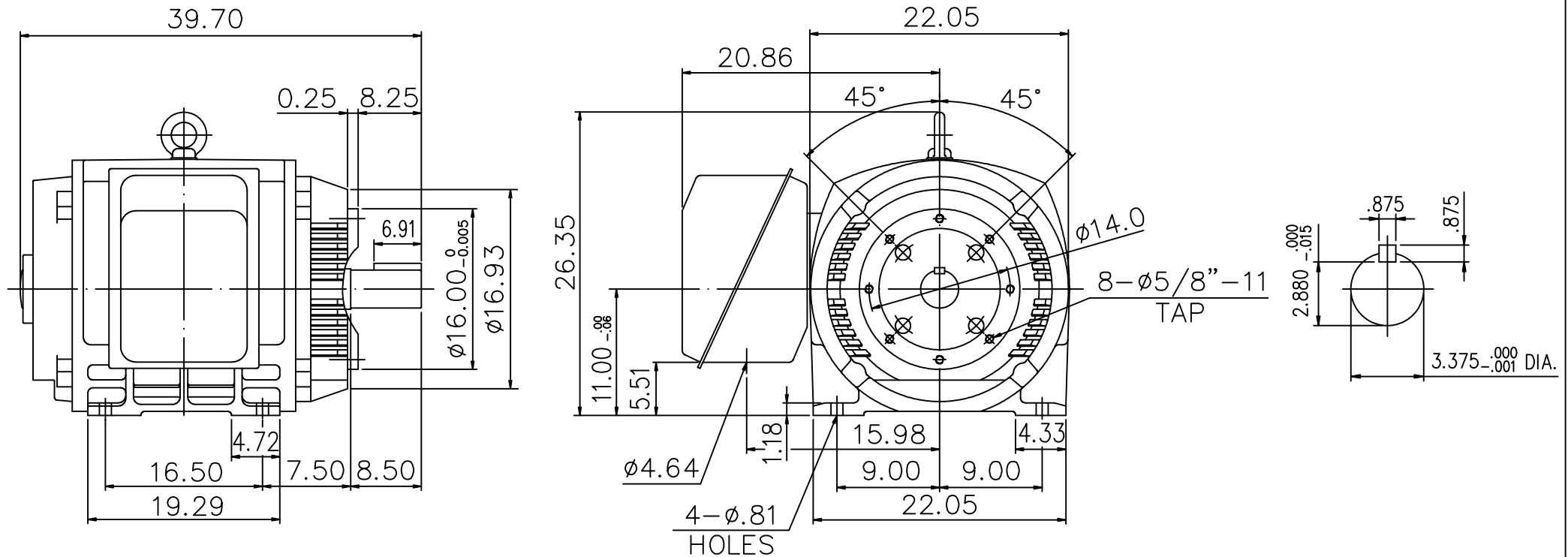


SUPER-MAX ALTERNATING CURRENT MOTORS
SQUIRREL-CAGE INDUCTION
CAST-IRON FRAME

ENCLOSURE: OPEN DRIP PROOF
MOUNTING: FOOT
COOLING: SELF-VENTILATION

FRAME 445TC



- (1) DIMENSIONS ARE IN INCHES.
- (2) APPROXIMATE WEIGHT = 200HP, 4 P, -1715LBS.
150HP, 6 P, -1715LBS.
- (3) DRIVE END BEARING 6318
OPPOSITE DRIVE END BEARING 6318
- (4) INTERNAL VOLUME OF CONDUIT BOX=1185 CU, IN.

OUTPUT	POLE	SYN. SPEED	VOLT	FREQ.	CERTIFIED BY _____ DATE _____
TATUNG					DIMENSION SHEET
DR. BY <u>W. D. KUO</u> CK. BY <u>L. J. LEE</u> APP. BY <u>T. M. LIAD</u> DATE <u>JUN. 18. 2010</u>					AS-992208