

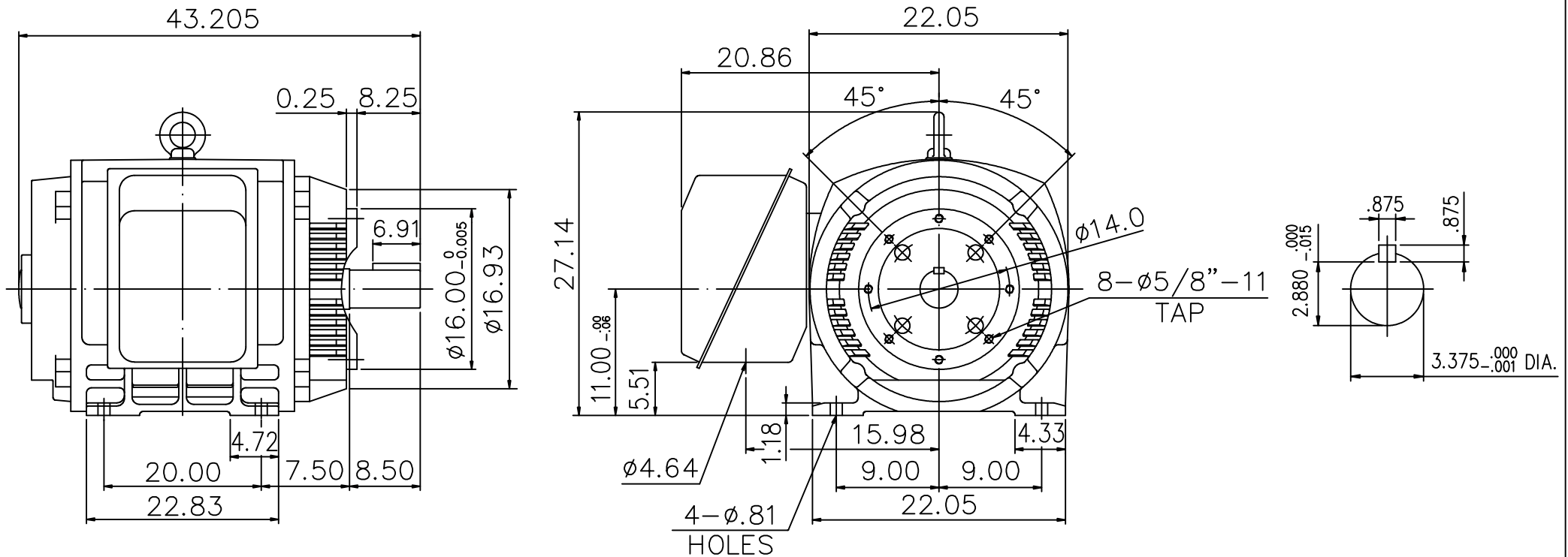
SUPER-MAX ALTERNATING CURRENT MOTORS

SQUIRREL-CAGE INDUCTION

CAST-IRON FRAME

ENCLOSURE: OPEN DRIP PROOF
 MOUNTING: FOOT
 COOLING: SELF-VENTILATION

FRAME 447TC



- (1) DIMENSIONS ARE IN INCHES.
- (2) APPROXIMATE WEIGHT =250HP, 4 P, -1900LBS.
 300HP, 4 P, -1950LBS.
 200HP, 6 P, -1950LBS.
- (3) DRIVE END BEARING 6318
 OPPOSITE DRIVE END BEARING 6318
- (4) INTERNAL VOLUME OF CONDUIT BOX=1185 CU, IN.

OUTPUT	POLE	SYN. SPEED	VOLT	FREQ.	CERTIFIED BY _____ DATE _____	
TATUNG					DR. BY <u>W. D. KUO</u> CK. BY <u>L. J. LEE</u> APP. BY <u>T. M. LIAD</u> DATE <u>JUN. 18. 2010</u>	DIMENSION SHEET AS-992210