

OUTLINE 3-PHASE INDUCTION MOTOR

**TOTALLY ENCLOSED FAN
COOLED, SQUIRREL CAGE
ROTOR**

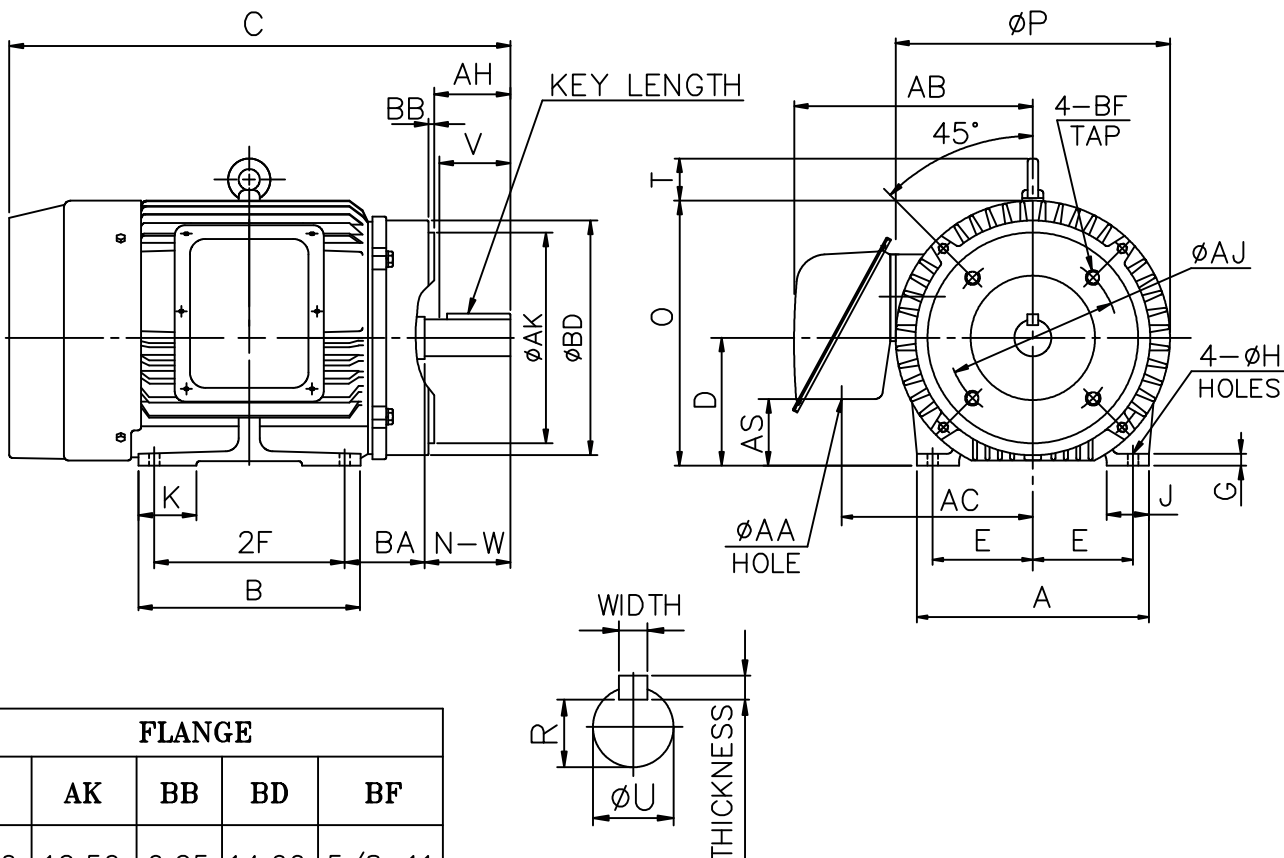
FILE NO:

CUSTOMER:

PO. NO:

ORDER NO:

| OUTPUT | POLE | SYN. SPEED | VOLT. | FREQ | TIME RATING | MODEL | FRAME NO. |
|--------|------|------------|-------|------|-------------|-------|-----------|
| | | | | | CONT. | TEFC | 324TC |



| FLANGE | | | | |
|--------|-------|------|-------|--------|
| AJ | AK | BB | BD | BF |
| 11.00 | 12.50 | 0.25 | 14.00 | 5/8-11 |

| A | B | C | D | E | 2F | G | H | J | K | O+T | P | AA | AB | AH |
|-------|-------|-------|------|------|-------|------|------|------|------|-------|-------|------|-------|-----|
| 14.88 | 12.68 | 29.82 | 8.00 | 6.25 | 10.50 | 0.91 | 0.66 | 3.15 | 3.15 | 19.13 | 17.79 | 2.48 | 14.40 | 5.0 |

| AC | AS | BA | KEY | | | KEYSEAT | SHAFT EXTENSION | | | BEARING NO. | | APPROX WEIGHT |
|-------|------|------|-------|-----------|--------|---------|-----------------|-------|------|-------------|-------|---------------|
| | | | WIDE | THICKNESS | LENGTH | R | N-W | U | V | D.E | O.D.E | |
| 11.73 | 5.44 | 5.25 | 0.500 | 0.500 | 3.875 | 1.845 | 5.25 | 2.125 | 5.00 | 6312 | 6212 | 590 lb |

- NOTE:**
1. TOLERANCE OF SHAFT END DIAMETER U: 0.000, -0.001
 2. TOLERANCE OF SHAFT CENTER HEIGHT D: 0.00, -0.06
 3. DIMENSION R TOLERANCE: 0.000, -0.015
 4. DIMENSION AK TOLERANCE: 0.000, -0.005
 5. DIMENSION V IS LENGTH OF STRAIGHT PART OF SHAFT.
 6. F CLASS INSULATION.

CERTIFIED BY : _____ DATE : _____

| | | |
|----------|------------|----------------------|
| DESIGNED | W. D. KUO | DWG. NO: AS-832513 |
| CHECKED | L. J. LEE | 3RD ANGLE PROJECTION |
| APPROVED | T. M. LIAO | DIMENSION IN inch |

