

# OUTLINE 3-PHASE INDUCTION MOTOR

TOTALLY ENCLOSED FAN  
COOLED, SQUIRREL CAGE  
ROTOR

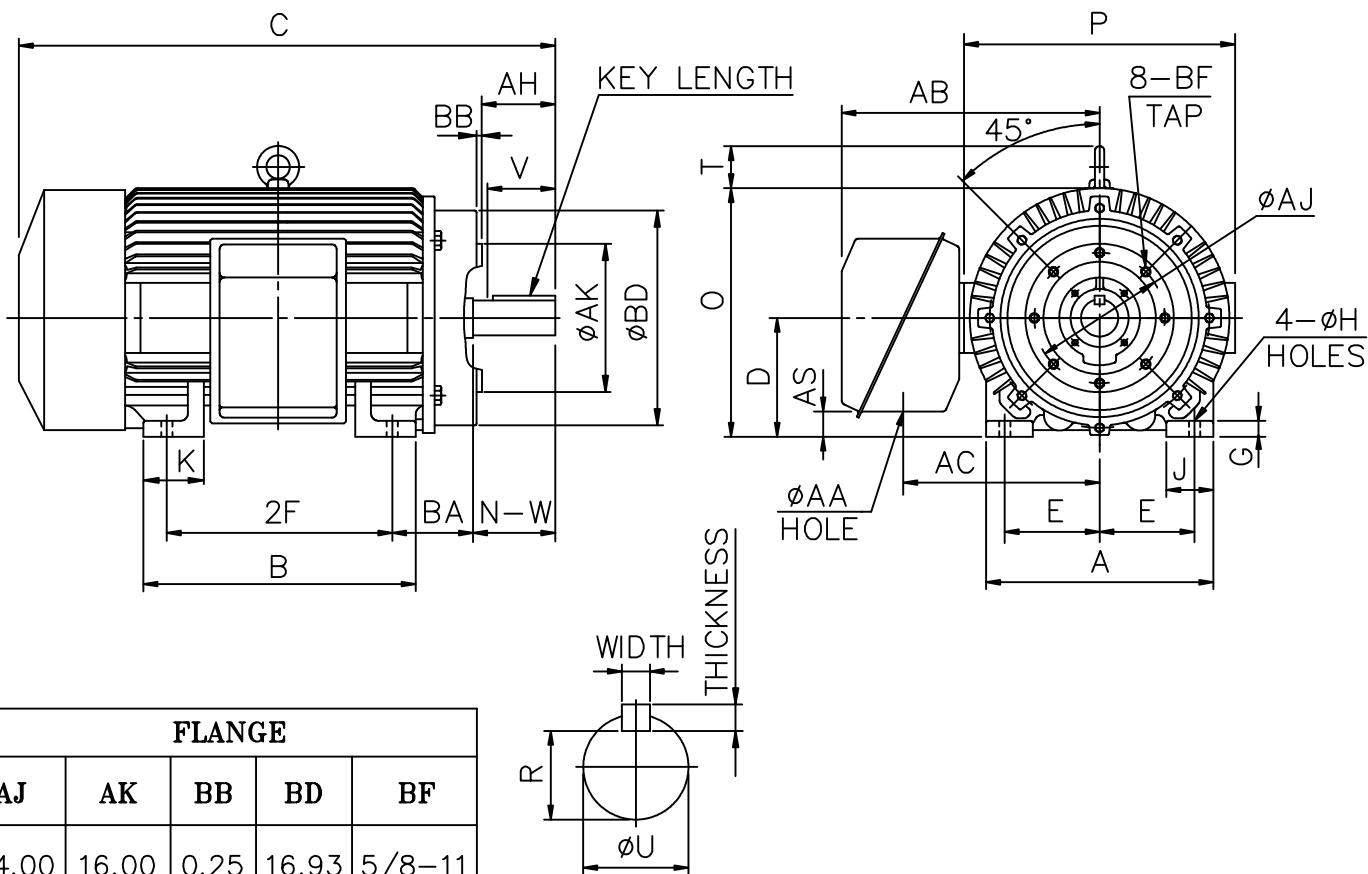
FILE NO:

CUSTOMER:

PO. NO:

ORDER NO:

OUTPUT	POLE	SYN. SPEED	VOLT.	FREQ	TIME RATING	MODEL	FRAME NO.
					CONT.	TEFC	449TC



FLANGE				
AJ	AK	BB	BD	BF
14.00	16.00	0.25	16.93	5/8-11

A	B	C	D	E	2F	G	H	J	K	O+T	P	AA	AB	AH
22.05	27.83	57.55	11.00	9.00	25.00	1.18	0.83	4.33	5.71	27.83	26.77	4.65	22.95	9.875

AC	AS	BA	KEY			KEYSEAT	SHAFT EXTENSION			BEARING NO.		APPROX WEIGHT
			WIDTH	THICKNESS	LENGTH		R	N-W	U	V	D.E	
18.03	2.34	7.50	0.875	0.875	6.91	2.880	8.50	3.375	8.25	6320	6318	3050 lb

- NOTE: 1. TOLERANCE OF SHAFT END DIAMETER U: +0.000, -0.001  
 2. TOLERANCE OF SHAFT CENTER HEIGHT D: +0.000, -0.06  
 3. DIMENSION R TOLERANCE: +0.000, -0.015  
 4. DIMENSION AK TOLERANCE: +0.000, -0.005  
 5. DIMENSION V IS LENGTH OF STRAIGHT PART OF SHAFT.  
 6. F CLASS INSULATION.

CERTIFIED BY : \_\_\_\_\_ DATE : \_\_\_\_\_

DESIGNED    W. D. KUO                      DWG. NO: AS-992013

CHECKED    L. J. LEE                                  3RD ANGLE PROJECTION

APPROVED    T. M. LIAO                                DIMENSION IN inch

