

# EXTRA-MAX ALTERNATING CURRENT MOTORS

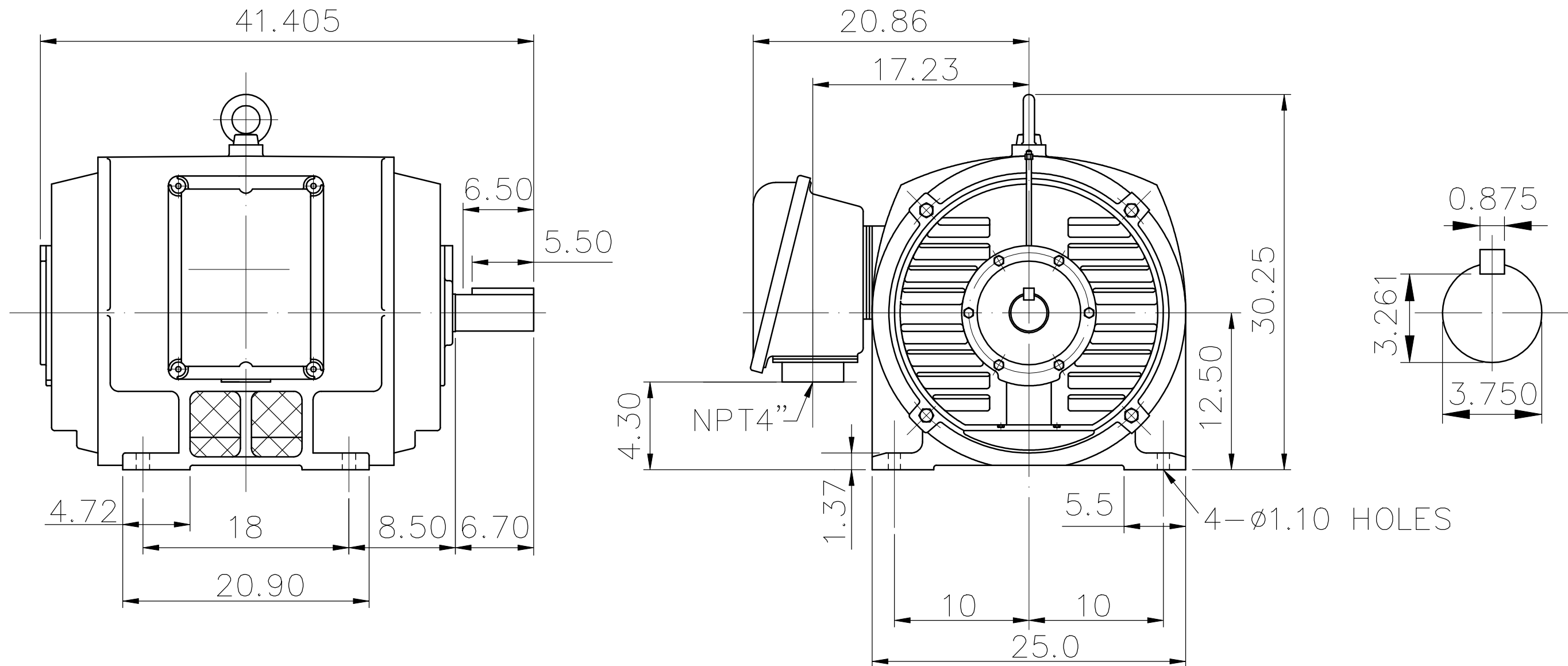
SQUIRREL-CAGE INDUCTION

ENCLOSURE: OPEN DRIP PROOF

MOUNTING: FOOT

CAST IRON FRAME

FRAME 505T




(1) DIMENSIONS ARE IN INCHES.

(2) APPROXIMATE WEIGHT = 300 HP 6 P — 2410 LBS  
 450 HP 4 P — 2450 LBS  
 500 HP 4 P — 2500 LBS

(3) DRIVE END BEARING 6320  
 OPPOSITE DRIVE END BEARING 6320

Preliminary Drawing for Reference Only

OUTPUT	POLE	SYN. SPEED	VOLT	FREQ.	CERTIFIED BY _____	DATE _____
					DR. BY W. D. KUD	<b>DIMENSION SHEET</b>
					CK. BY L. J. LEE	
APP. BY T. M. LIAO						
DATE NOV. 27. 2008						