

EXTRA-MAX ALTERNATING CURRENT MOTORS

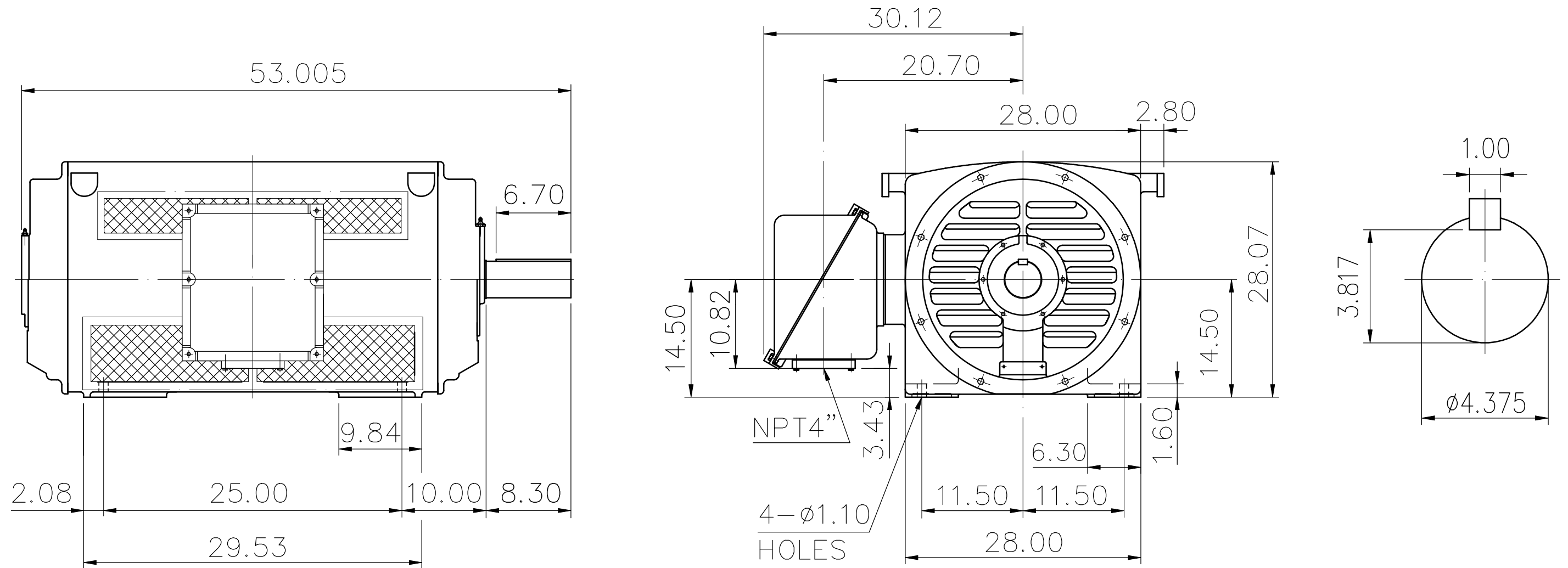
SQUIRREL-CAGE INDUCTION

ENCLOSURE: OPEN DRIP PROOF

MOUNTING: FOOT

CAST IRON FRAME

FRAME 5807N




(1) DIMENSIONS ARE IN INCHES.

(2) APPROXIMATE WEIGHT = 450 HP 6 P — 3460LBS
500 HP 6 P — 3500LBS

(3) DRIVE END BEARING 6224C3
OPPOSITE DRIVE END BEARING 6224C3

Preliminary Drawing for Reference Only

OUTPUT	POLE	SYN. SPEED	VOLT	FREQ.	CERTIFIED BY _____ DATE _____	
					DR. BY <u>W. D. KUD</u> CK. BY <u>L. J. LEE</u> APP. BY <u>T. M. LIAO</u> DATE <u>NOV. 27. 2008</u>	
					DIMENSION SHEET	