

EXTRA-MAX ALTERNATING CURRENT MOTORS

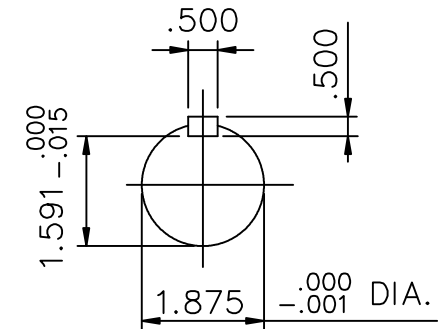
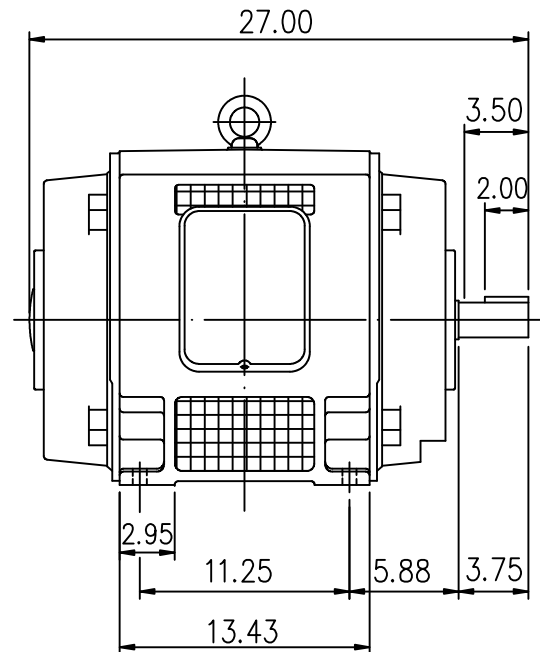
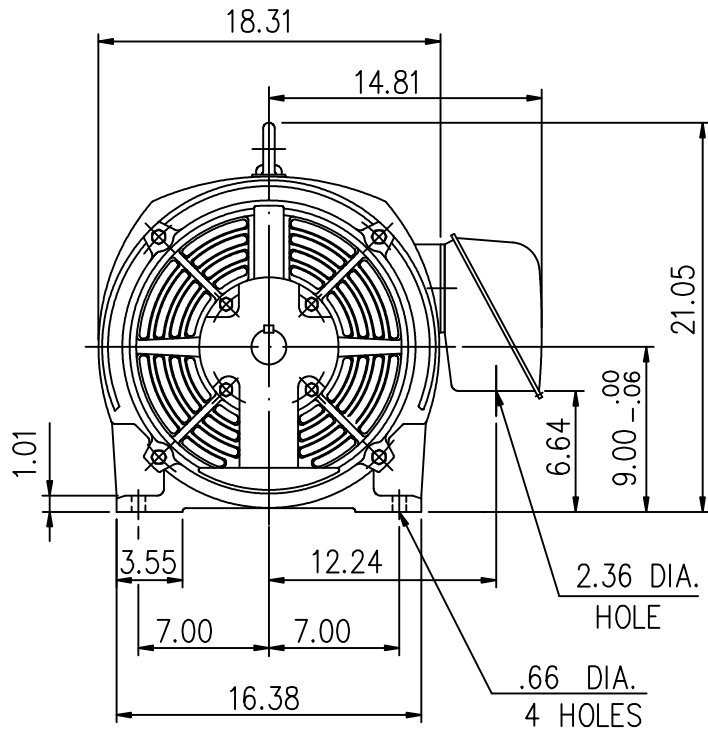
SQUIRREL-CAGE INDUCTION

CAST IRON FRAME

FRAME 364TS

ENCLOSURE: OPEN DRIP PROOF

MOUNTING: FOOT



- (1) DIMENSIONS ARE IN INCHES.
- (2) APPROXIMATE WEIGHT = 75 LB, 2 P, - 680 LB.
- (3) DRIVE END BEARING 6313C3
OPPOSITE DRIVE END BEARING 6313C3
- (4) INTERNAL VOLUME OF CONDUIT BOX=244 CU, IN.

Preliminary Drawing for Reference Only

| OUTPUT | POLE | SYN. SPEED | VOLT | FREQ. | CERTIFIED BY _____ DATE _____ | |
|--|------|------------|------|-------|-------------------------------|--|
| | | | | | DIMENSION SHEET | |
| | | | | | | |
| DR. BY <u>W. D. KUD</u> CK. BY <u>L. J. LEE</u> APP. BY <u>T. M. LIAD</u> DATE <u>NOV. 27, 2008</u> | | | | | | |