

# EXTRA-MAX ALTERNATING CURRENT MOTORS

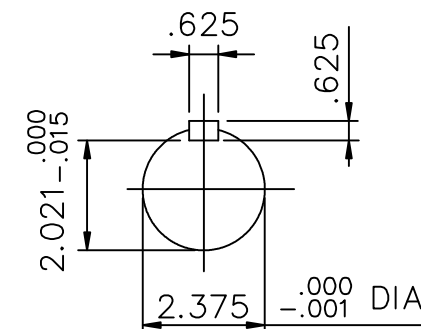
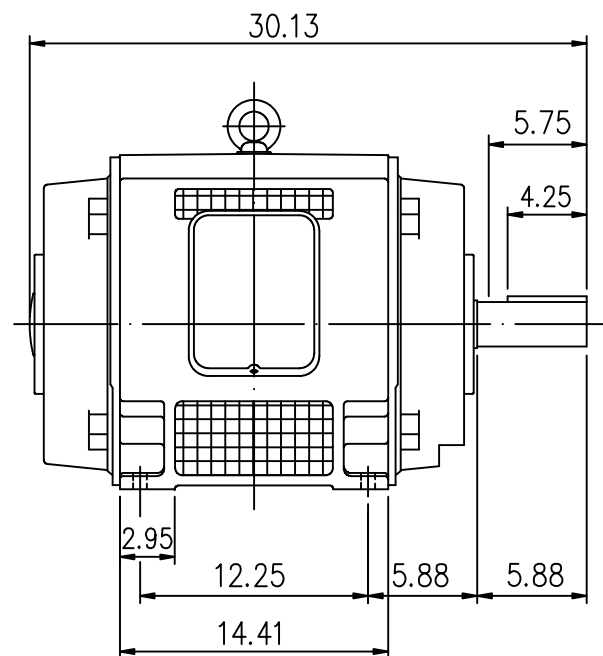
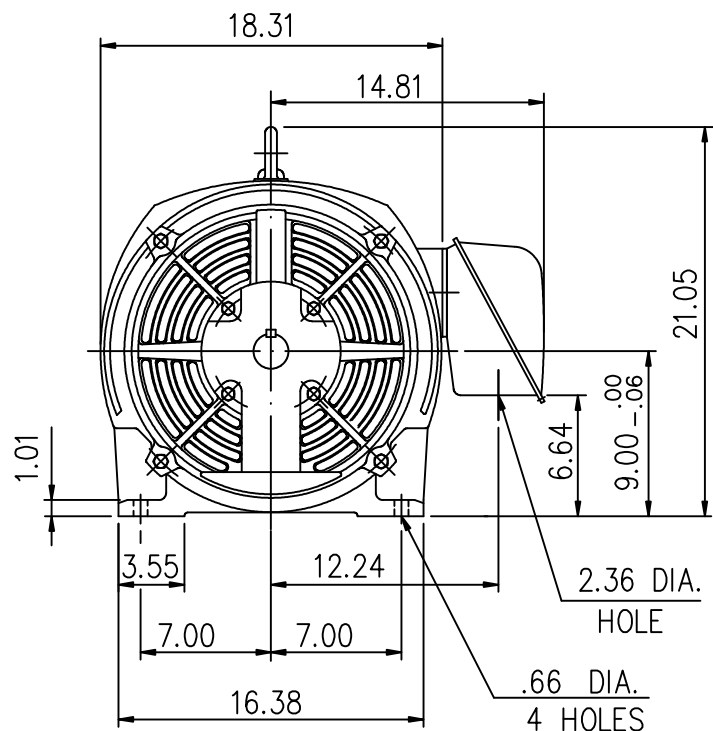
SQUIRREL-CAGE INDUCTION

CAST IRON FRAME

FRAME 365T

ENCLOSURE: OPEN DRIP PROOF

MOUNTING: FOOT



- (1) DIMENSIONS ARE IN INCHES.
- (2) APPROXIMATE WEIGHT = 75HP, 4P, - 810LB.  
50HP, 6P, - 810LB.
- (3) DRIVE END BEARING 6314  
OPPOSITE DRIVE END BEARING 6313
- (4) INTERNAL VOLUME OF CONDUIT BOX=244 CU, IN.

Preliminary Drawing for Reference Only

OUTPUT	POLE	SYN. SPEED	VOLT	FREQ.	CERTIFIED BY _____ DATE _____	
					DR. BY <u>W. D. KUD</u> CK. BY <u>L. J. LEE</u> APP. BY <u>T. M. LIAD</u> DATE <u>NOV. 27, 2008</u>	
					<b>DIMENSION SHEET</b>	