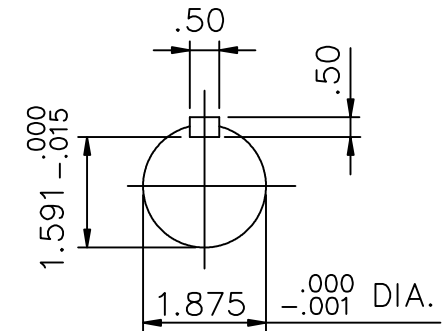
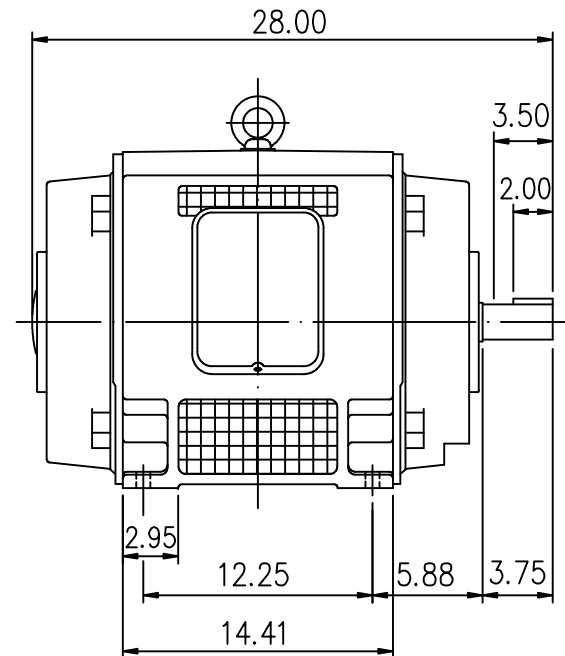
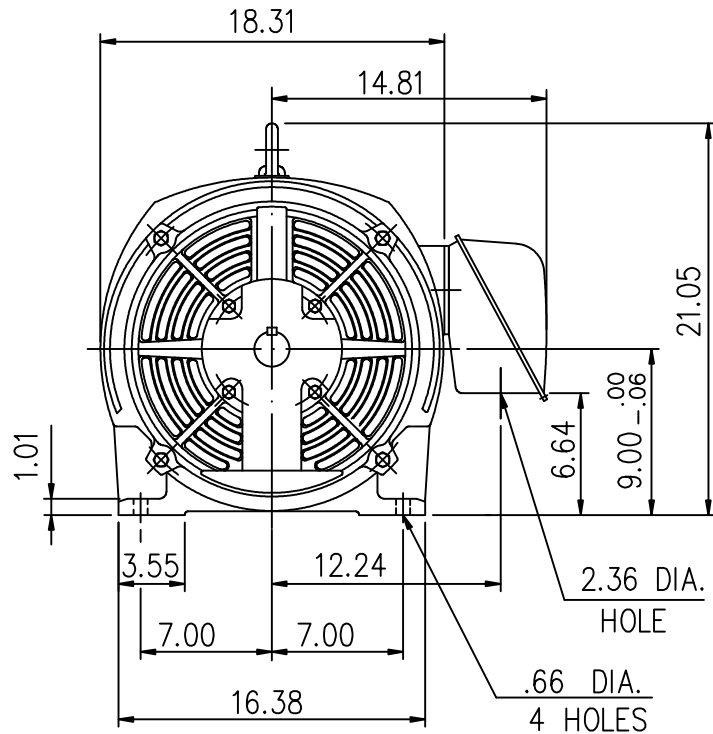


EXTRA-MAX ALTERNATING CURRENT MOTORS

SQUIRREL-CAGE INDUCTION

ENCLOSURE: OPEN DRIP PROOF
MOUNTING: FOOT

CAST IRON FRAME
FRAME 365TS



Preliminary Drawing for Reference Only

- (1) DIMENSIONS ARE IN INCHES.
- (2) APPROXIMATE WEIGHT = 100HP, 2P, - 810 LB.
- (3) DRIVE END BEARING 6313C3
OPPOSITE DRIVE END BEARING 6313C3
- (4) INTERNAL VOLUME OF CONDUIT BOX=244 CU, IN.

OUTPUT	POLE	SYN. SPEED	VOLT	FREQ.	CERTIFIED BY	DATE
				DR. BY W. D. KUO		DIMENSION SHEET AS-780378
				CK. BY L. J. LEE		
				APP. BY T. M. LIAD		
				DATE NOV. 27, 2008		