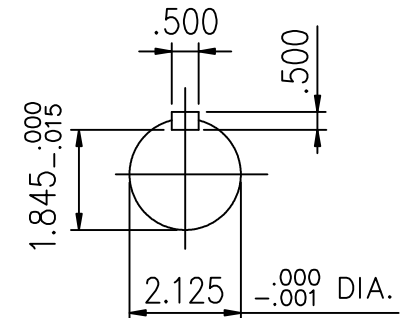
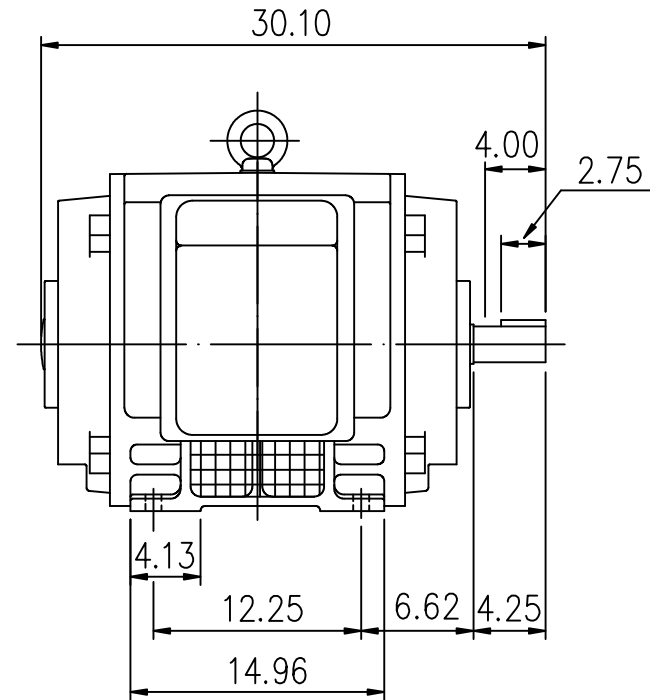
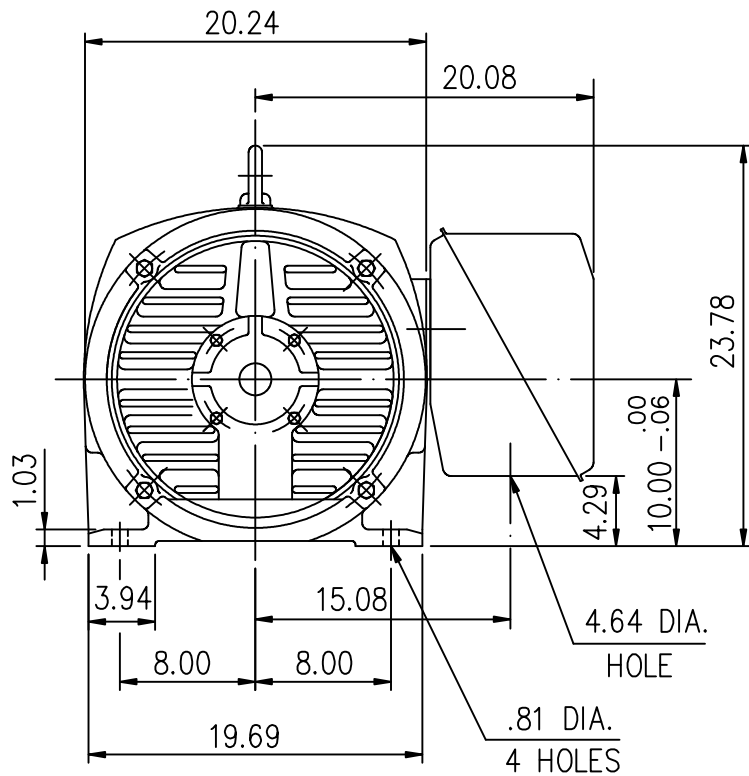


EXTRA-MAX ALTERNATING CURRENT MOTORS

SQUIRREL-CAGE INDUCTION

CAST IRON FRAME
FRAME 404TS

ENCLOSURE: OPEN DRIP PROOF
MOUNTING: FOOT



- < 1 > DIMENSIONS ARE IN INCHES.
- < 2 > APPROXIMATE WEIGHT = 125HP, 2 P, -1040LBS.
- < 3 > DRIVE END BEARING 6313C3
OPPOSITE DRIVE END BEARING 6313C3
- < 4 > INTERNAL VOLUME OF CONDUIT BOX=1185 CU, IN.

Preliminary Drawing for Reference Only

OUTPUT	POLE	SYN. SPEED	VOLT	FREQ.	CERTIFIED BY _____ DATE _____	
					DR. BY	V. D. KUD
					CK. BY	L. J. LEE
DIMENSION SHEET					APP. BY	T. M. LIAD
					DATE	NOV. 27, 2008
					AS-780380	