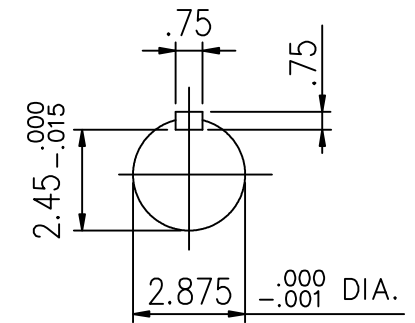
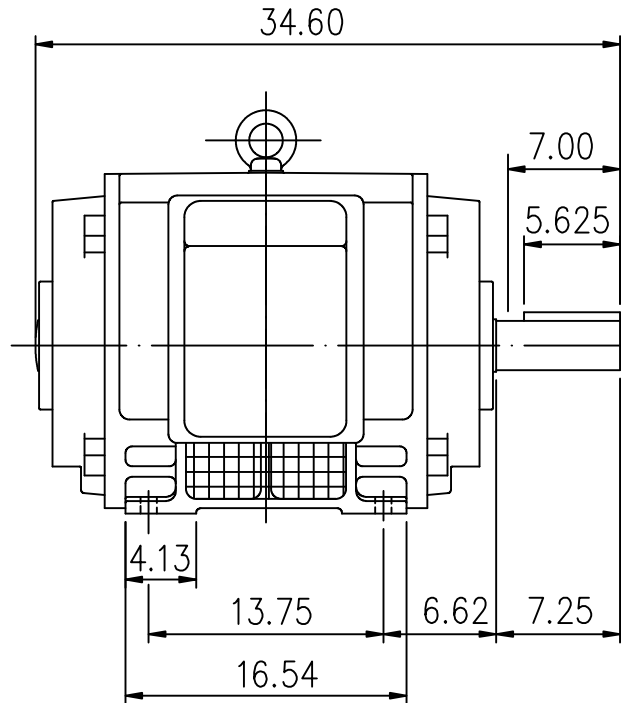
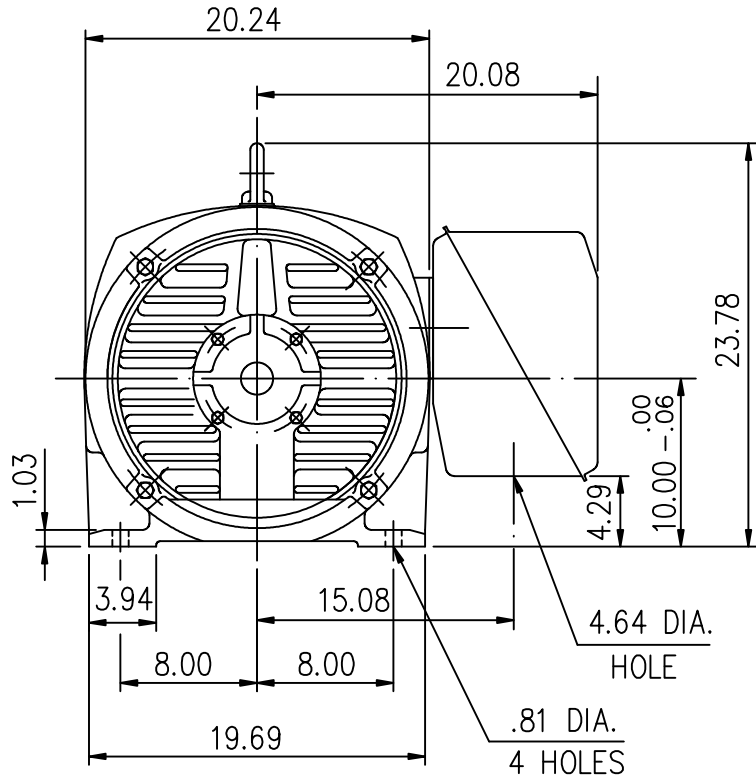


EXTRA-MAX ALTERNATING CURRENT MOTORS

SQUIRREL-CAGE INDUCTION

ENCLOSURE: OPEN DRIP PROOF
MOUNTING: FOOT

CAST IRON FRAME
FRAME 405T



- < 1> DIMENSIONS ARE IN INCHES.
- < 2> APPROXIMATE WEIGHT = 125 HP, 4 P, -1150LBS.
75 HP, 6 P, -1150LBS.
- < 3> DRIVE END BEARING 6317
OPPOSITE DRIVE END BEARING 6313
- < 4> INTERNAL VOLUME OF CONDUIT BOX=1185 CU, IN.

Preliminary Drawing for Reference Only

OUTPUT	POLE	SYN. SPEED	VOLT	FREQ.	CERTIFIED BY _____ DATE _____	
					DR. BY	W. D. KUD
					CK. BY	L. J. LEE
					APP. BY	T. M. LIAD
					DATE	NOV. 27, 2008
DIMENSION SHEET					AS-780381	