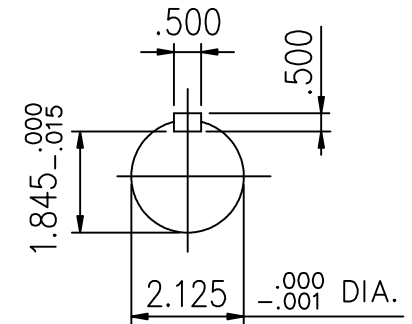
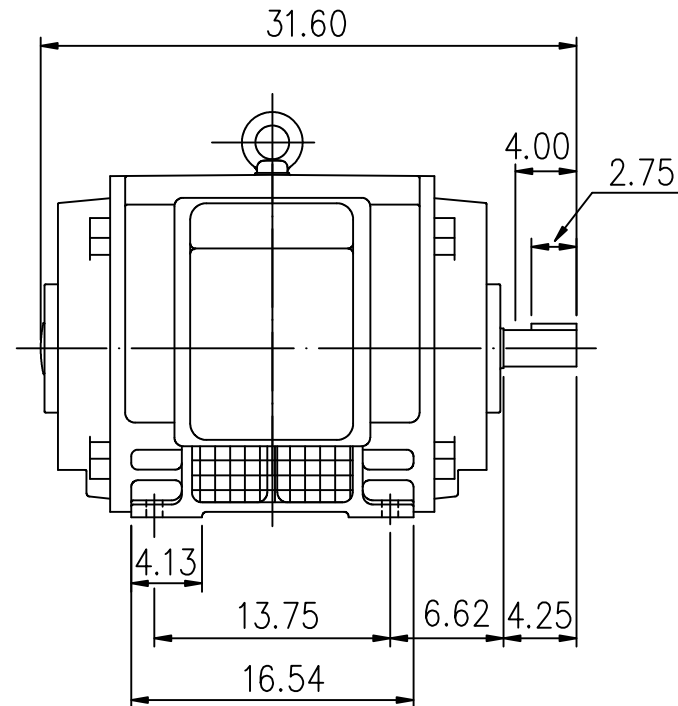
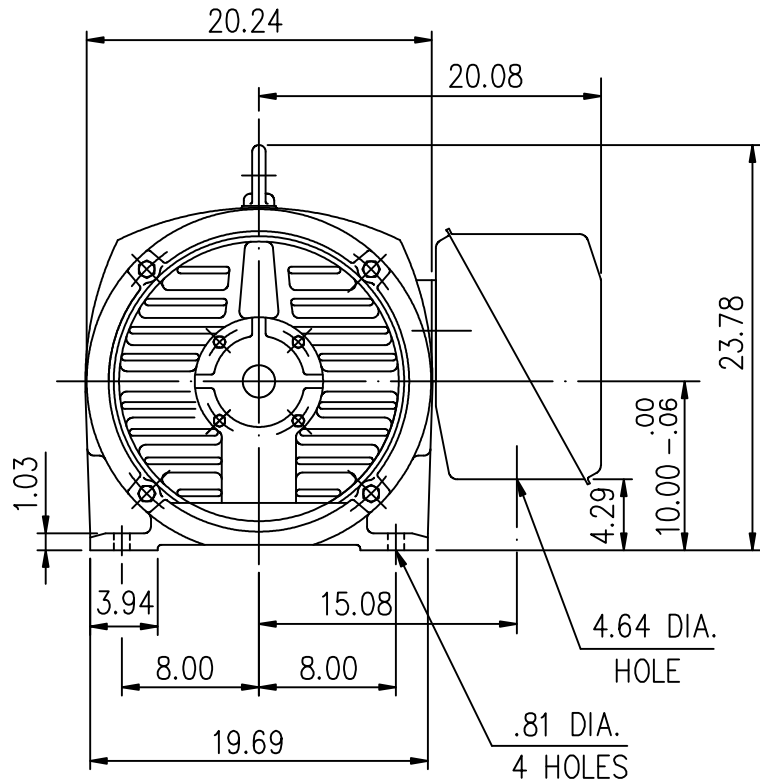


EXTRA-MAX ALTERNATING CURRENT MOTORS

SQUIRREL-CAGE INDUCTION

ENCLOSURE: OPEN DRIP PROOF
MOUNTING: FOOT

CAST IRON FRAME
FRAME 405TS



- (1) DIMENSIONS ARE IN INCHES.
- (2) APPROXIMATE WEIGHT = 150HP, 2P, -1150LBS.
- (3) DRIVE END BEARING 6313C3
OPPOSITE DRIVE END BEARING 6313C3
- (4) INTERNAL VOLUME OF CONDUIT BOX=1185 CU, IN.

Preliminary Drawing for Reference Only

OUTPUT	POLE	SYN. SPEED	VOLT	FREQ.	CERTIFIED BY _____ DATE _____	
					DIMENSION SHEET	
<small>DR. BY W. D. KUO</small> <small>CK. BY L. J. LEE</small> <small>APP. BY T. M. LIAD</small> <small>DATE NOV. 27, 2008</small>						