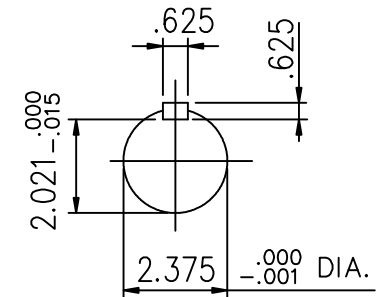
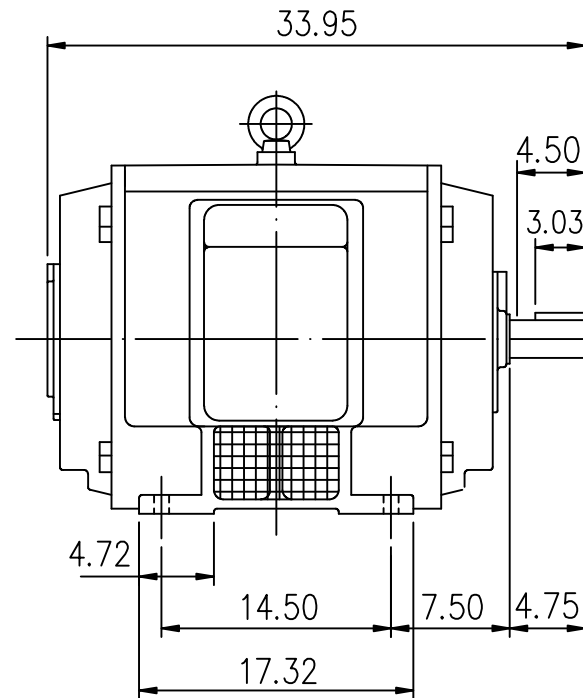
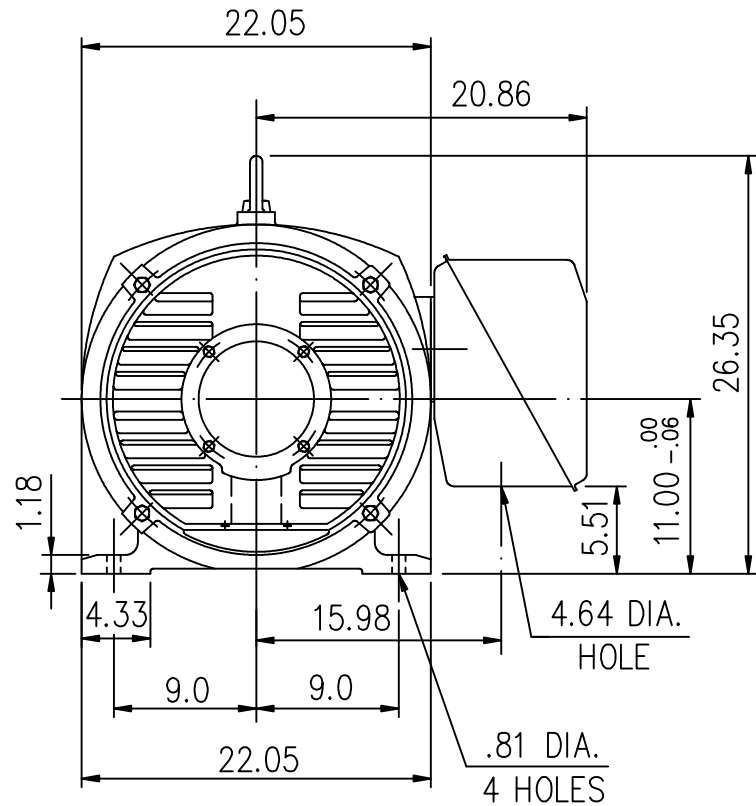


EXTRA-MAX ALTERNATING CURRENT MOTORS

SQUIRREL-CAGE INDUCTION

ENCLOSURE: OPEN DRIP PROOF
MOUNTING: FOOT

CAST IRON FRAME
FRAME 444TS



- (1) DIMENSIONS ARE IN INCHES.
- (2) APPROXIMATE WEIGHT = 200 HP 2 P — 1494 LBS
- (3) DRIVE END BEARING 6313C3
OPPOSITE DRIVE END BEARING 6313C3
- (4) INTERNAL VOLUME OF CONDUIT BOX = 1185 CU, IN.

Preliminary Drawing for Reference Only

OUTPUT	POLE	SYN. SPEED	VOLT	FREQ.	CERTIFIED BY	DATE	
				DR. BY W. D. KUO		DIMENSION SHEET	AS-780384
				CK. BY L. J. LEE			
APP. BY T. M. LIAD							
DATE NOV. 27, 2008							