

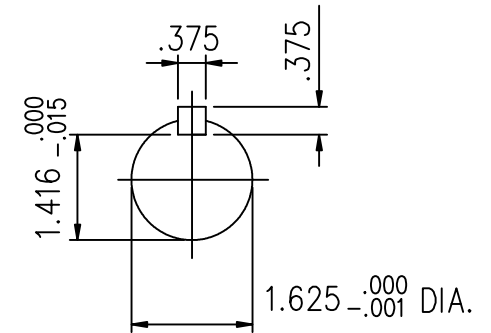
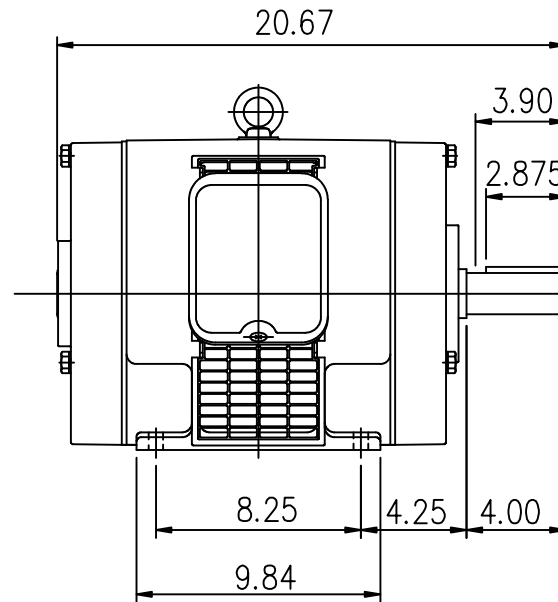
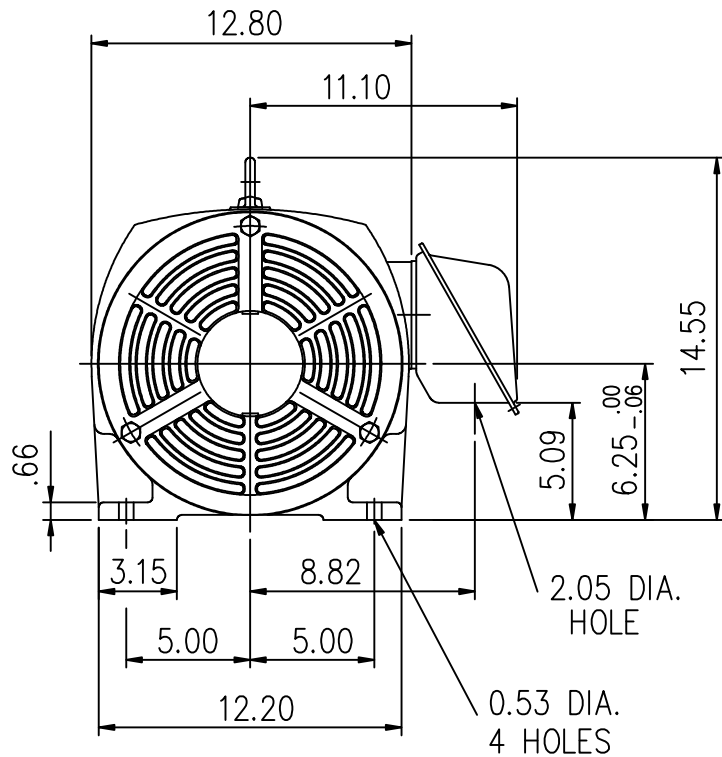
EXTRA-MAX ALTERNATING CURRENT MOTORS

SQUIRREL-CAGE INDUCTION

CAST-IRON FRAME

ENCLOSURE: OPEN DRIP PROOF
MOUNTING: FOOT

FRAME 254T



- (1) DIMENSIONS ARE IN INCHES.
- (2) APPROXIMATE WEIGHT = 20 HP, 2 P, - 230 LBS.
15 HP, 4 P, - 230 LBS.
7.5 HP, 6 P, - 230 LBS.
- (3) DRIVE END BEARING 6310ZZ
OPPOSITE DRIVE END BEARING 6208ZZ
- (4) INTERNAL VOLUME OF CONDUIT BOX=110.9 CU, IN.

Preliminary Drawing for Reference Only

OUTPUT	POLE	SYN. SPEED	VOLT	FREQ.	CERTIFIED BY _____	DATE _____
					DIMENSION SHEET AS-791078	
					DR. BY <u>W. D. KUD</u> CK. BY <u>L. J. LEE</u> APP. BY <u>T. M. LIAD</u> DATE <u>NOV. 27, 2008</u>	