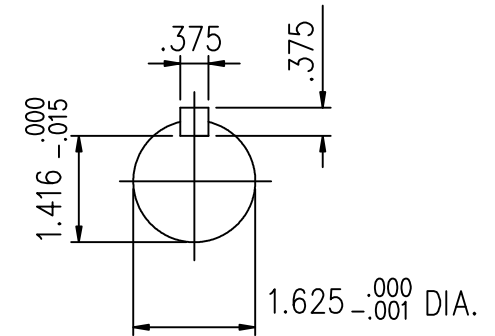
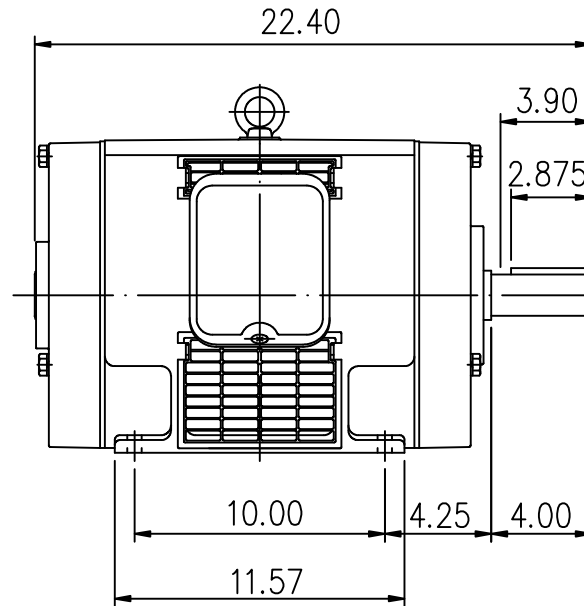
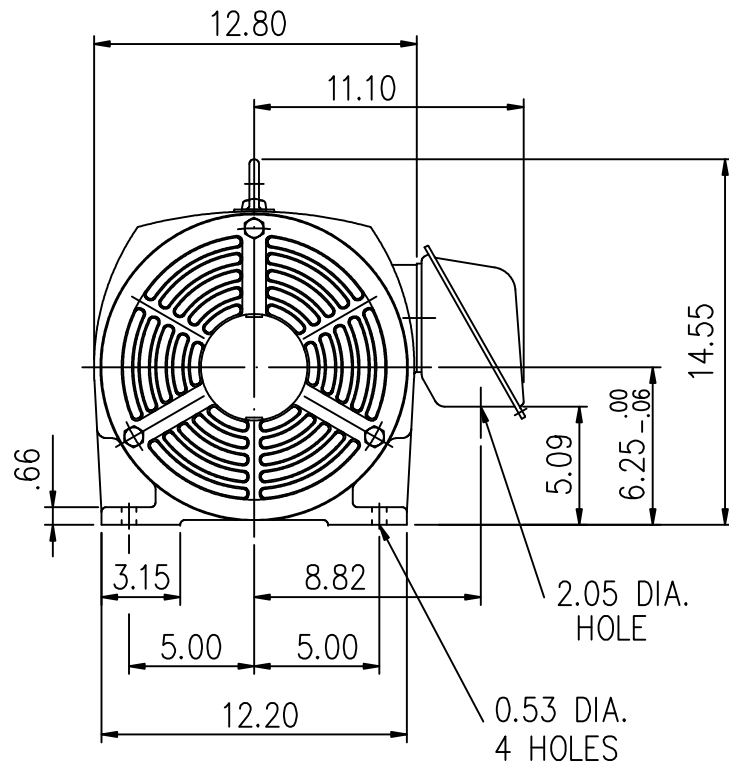


# EXTRA-MAX ALTERNATING CURRENT MOTORS SQUIRREL-CAGE INDUCTION CAST-IRON FRAME

ENCLOSURE: OPEN DRIP PROOF  
MOUNTING: FOOT

FRAME 256T



- (1) DIMENSIONS ARE IN INCHES.
- (2) APPROXIMATE WEIGHT = 25 HP, 2 P, - 297 LBS.  
20 HP, 4 P, - 297 LBS.  
10 HP, 6 P, - 297 LBS.
- (3) DRIVE END BEARING 6310ZZ  
OPPOSITE DRIVE END BEARING 6208ZZ
- (4) INTERNAL VOLUME OF CONDUIT BOX=110.9 CU. IN.

**Preliminary Drawing for Reference Only**

OUTPUT	POLE	SYN. SPEED	VOLT	FREQ.	CERTIFIED BY _____	DATE _____
					DR. BY <u>W. D. KUO</u> CK. BY <u>L. J. LEE</u> APP. BY <u>T. M. LIAD</u> DATE <u>NOV. 27, 2008</u>	<b>DIMENSION SHEET</b>  <b>AS-791079</b>