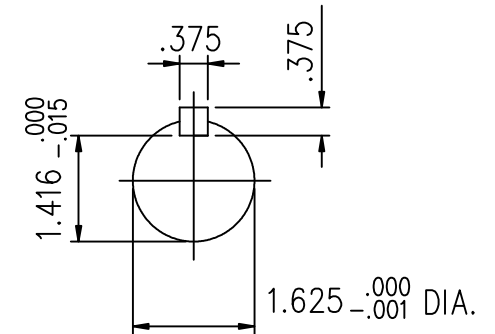
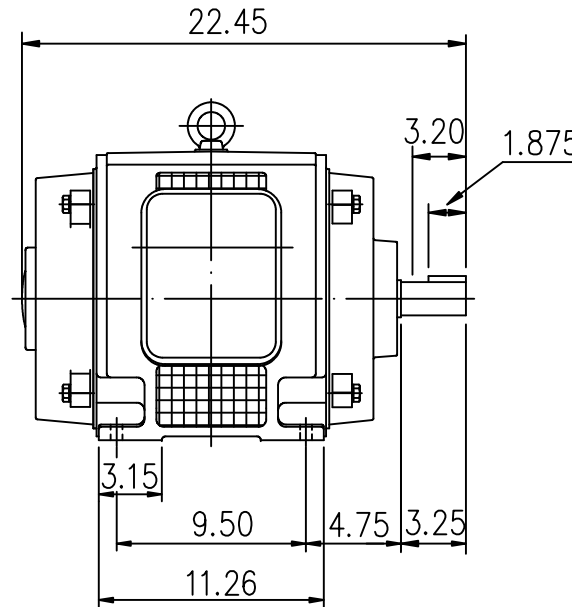
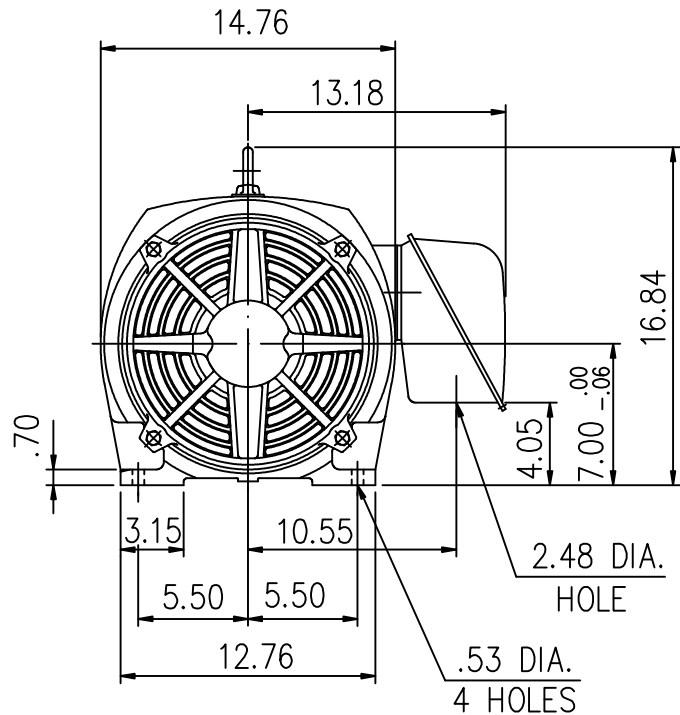


# EXTRA-MAX ALTERNATING CURRENT MOTORS SQUIRREL-CAGE INDUCTION

ENCLOSURE: OPEN DRIP PROOF  
MOUNTING: FOOT

CAST-IRON FRAME  
FRAME 284TS

COOLING: SELF-VENTILATION



- (1) DIMENSIONS ARE IN INCHES.
- (2) APPROXIMATE WEIGHT = 30 HP, 2 P, - 400 LBS.
- (3) DRIVE END BEARING 6312ZZC3  
OPPOSITE DRIVE END BEARING 6211ZZC3
- (4) INTERNAL VOLUME OF CONDUIT BOX=244 CU, IN.

**Preliminary Drawing for Reference Only**

OUTPUT	POLE	SYN. SPEED	VOLT	FREQ.	CERTIFIED BY _____ DATE _____
					DR. BY <u>W. D. KUD</u> CK. BY <u>L. J. LEE</u> APP. BY <u>T. M. LIAD</u> DATE <u>NOV. 27. 2008</u>
<b>DIMENSION SHEET</b>					<b>AS-822571</b>