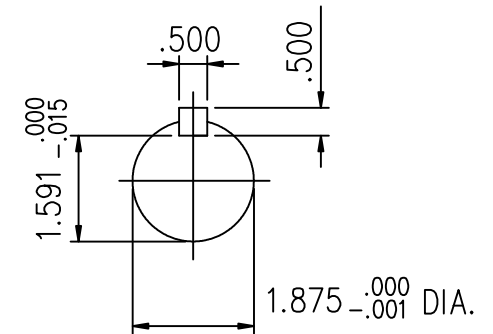
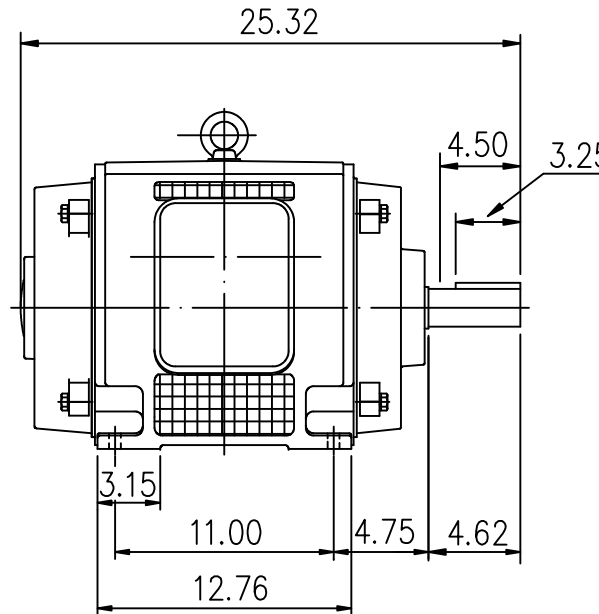
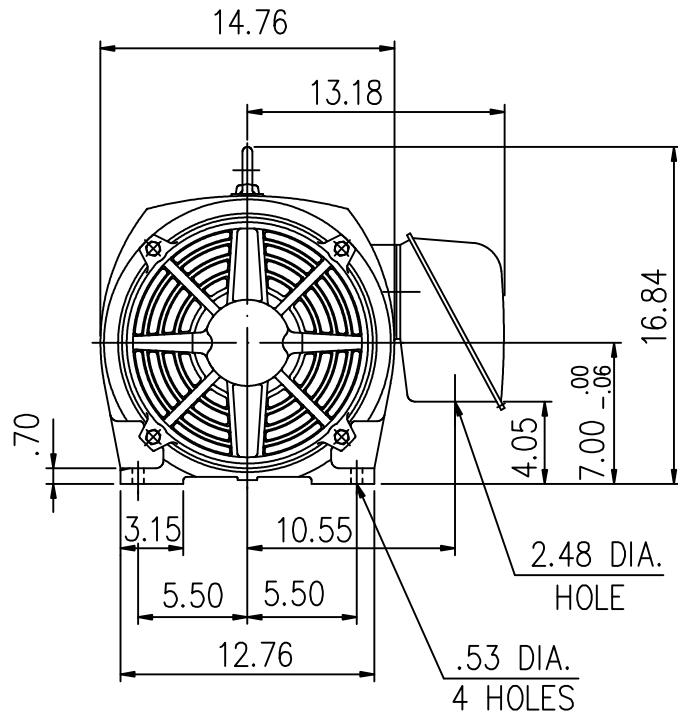


# EXTRA-MAX ALTERNATING CURRENT MOTORS SQUIRREL-CAGE INDUCTION

ENCLOSURE: OPEN DRIP PROOF  
MOUNTING: FOOT

CAST-IRON FRAME  
FRAME 286T

COOLING: SELF-VENTILATION



- (1) DIMENSIONS ARE IN INCHES.
- (2) APPROXIMATE WEIGHT = 30HP, 4 P, -420 LBS.  
20HP, 6 P, -420 LBS.
- (3) DRIVE END BEARING 6312ZZ  
OPPOSITE DRIVE END BEARING 6211ZZ
- (4) INTERNAL VOLUME OF CONDUIT BOX =244 CU, IN.

Preliminary Drawing for Reference Only

OUTPUT	POLE	SYN. SPEED	VOLT	FREQ.	CERTIFIED BY _____ DATE _____
					<b>DIMENSION SHEET</b>  <span style="font-size: 2em; font-weight: bold;">AS-822572</span>
<small>DR. BY W. D. KUD CK. BY L. J. LEE APP. BY T. M. LIAD DATE NOV. 27, 2008</small>					