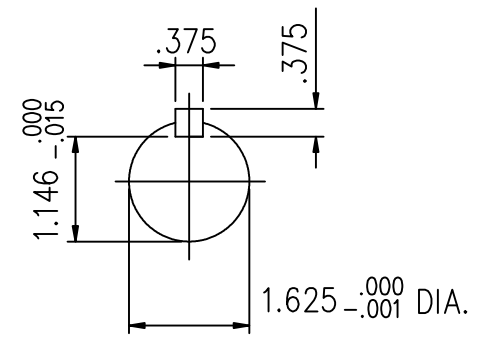
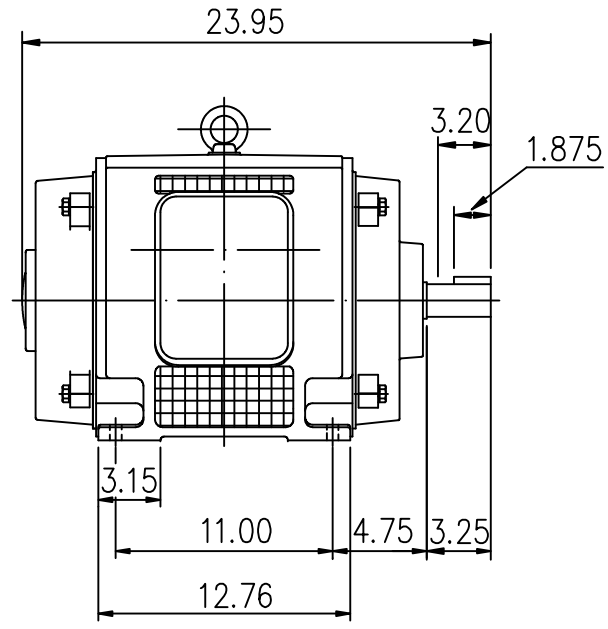
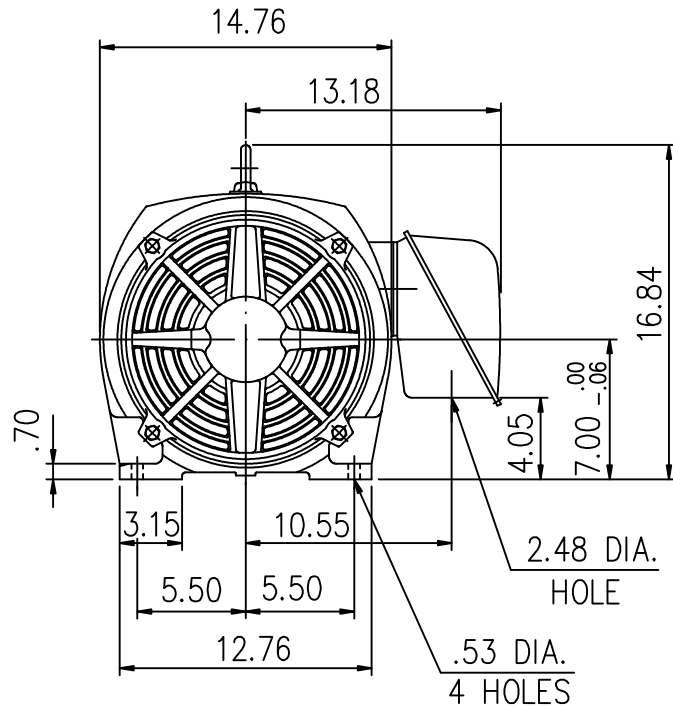


EXTRA-MAX ALTERNATING CURRENT MOTORS SQUIRREL-CAGE INDUCTION

ENCLOSURE: OPEN DRIP PROOF
MOUNTING: FOOT

CAST-IRON FRAME
FRAME 286TS

COOLING: SELF-VENTILATION



- (1) DIMENSIONS ARE IN INCHES.
- (2) APPROXIMATE WEIGHT = 40 HP, 2 P, - 430 LBS.
- (3) DRIVE END BEARING 6312ZZC3
OPPOSITE DRIVE END BEARING 6211ZZC3
- (4) INTERNAL VOLUME OF CONDUIT BOX=244 CU, IN.

Preliminary Drawing for Reference Only

OUTPUT	POLE	SYN. SPEED	VOLT	FREQ.	CERTIFIED BY _____	DATE _____
					DIMENSION SHEET AS-822573	
DR. BY W. D. KUO CK. BY L. J. LEE APP. BY T. M. LIAD DATE NOV. 27, 2008						