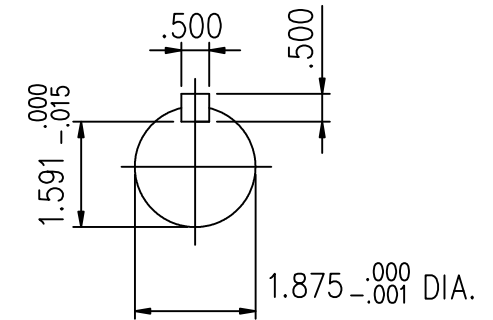
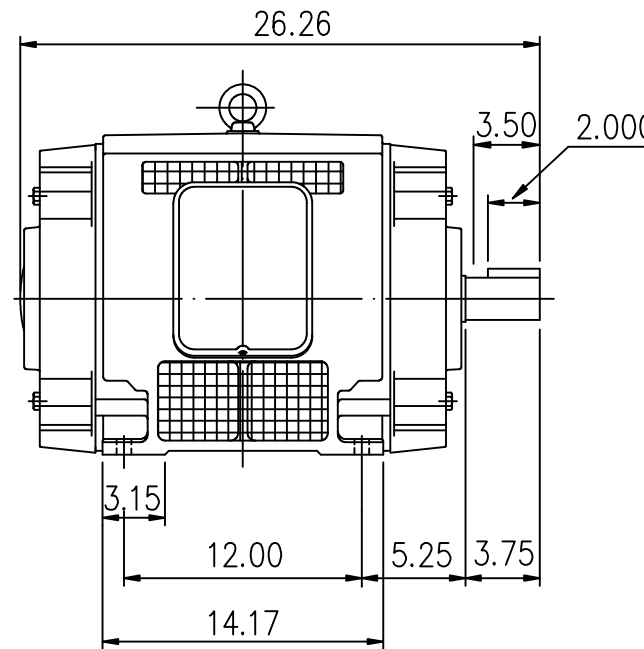
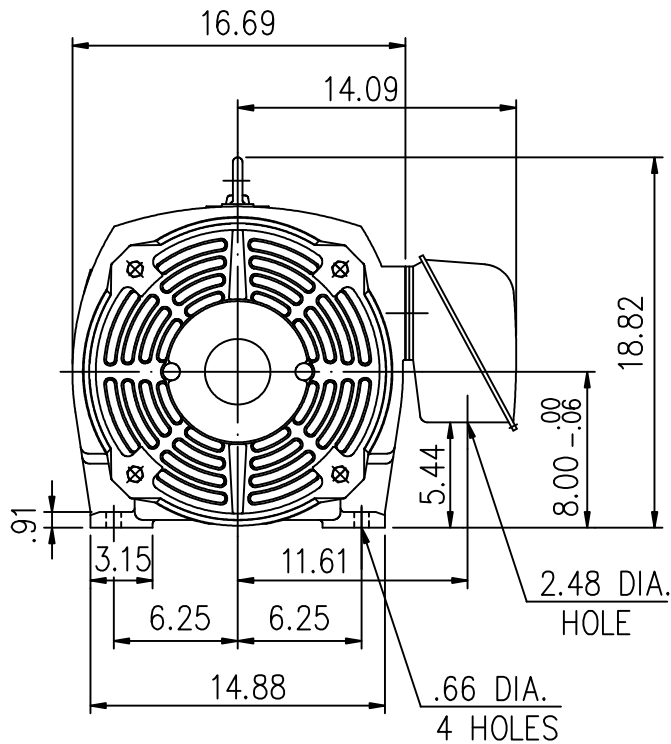


EXTRA-MAX ALTERNATING CURRENT MOTORS SQUIRREL-CAGE INDUCTION

ENCLOSURE: OPEN DRIP PROOF
MOUNTING: FOOT

CAST-IRON FRAME
FRAME 326TS

COOLING: SELF-VENTILATION



- (1) DIMENSIONS ARE IN INCHES.
- (2) APPROXIMATE WEIGHT = 60 HP, 2P, - 630 LBS.
- (3) DRIVE END BEARING 6312C3
OPPOSITE DRIVE END BEARING 6212ZZC3
- (4) INTERNAL VOLUME OF CONDUIT BOX=244 CU, IN.

Preliminary Drawing for Reference Only

OUTPUT	POLE	SYN. SPEED	VOLT	FREQ.	CERTIFIED BY _____	DATE _____
					DR. BY <u>W. D. KUO</u> CK. BY <u>L. J. LEE</u> APP. BY <u>T. M. LIAO</u> DATE <u>NOV. 27, 2008</u>	DIMENSION SHEET AS-832154