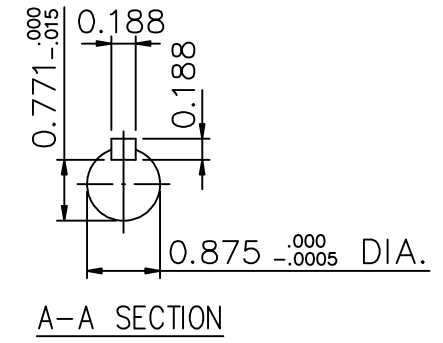
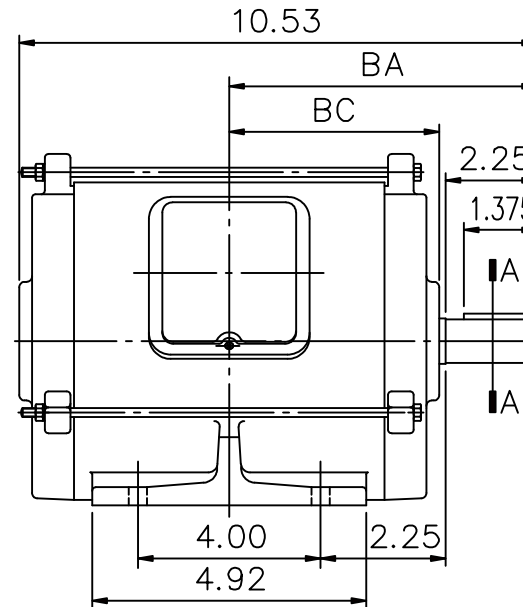
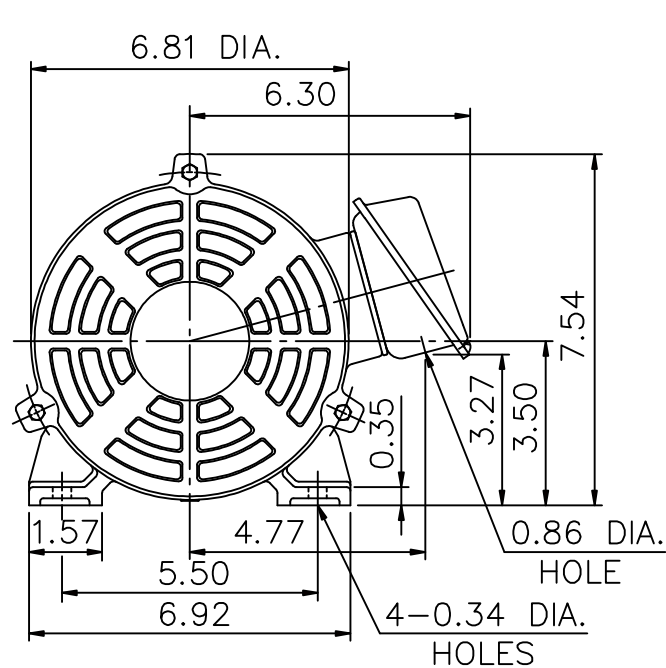


EXTRA-MAX ALTERNATING CURRENT MOTORS

SQUIRREL-CAGE INDUCTION

ENCLOSURE: OPEN DRIP-PROOF
MOUNTING: FOOT

CAST IRON FRAME
FRAME 143T



- (1) DIMENSIONS ARE IN INCHES
- (2) APPROXIMATE WEIGHT = 0.75 HP, 6 P, -45 LBS.
1 HP, 4 P, -45 LBS.
1.5 HP, 2 P, -42 LBS.
- (3) DRIVE END BEARING 6205zz
OPPOSITE DRIVE END BEARING 6205zz
- (4) INTERNAL VOLUME OF CONDUIT BOX=30.2 Cu, IN.

Preliminary Drawing for Reference Only

OUTPUT	POLE	SYN. SPEED	VOLT	FREQ.	CERTIFIED BY _____	DATE _____
					DR. BY <u>M. D. KUO</u> CK. BY <u>L. J. LEE</u> APP. BY <u>T. M. LIAD</u> DATE <u>NOV. 27, 2008</u>	DIMENSION SHEET AS-880395 ISSUE DATE JAN. 17, 1998