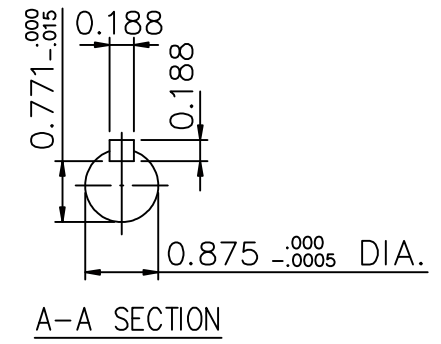
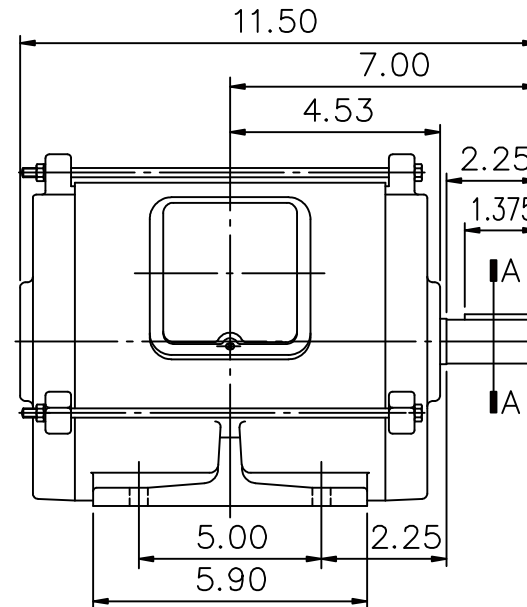
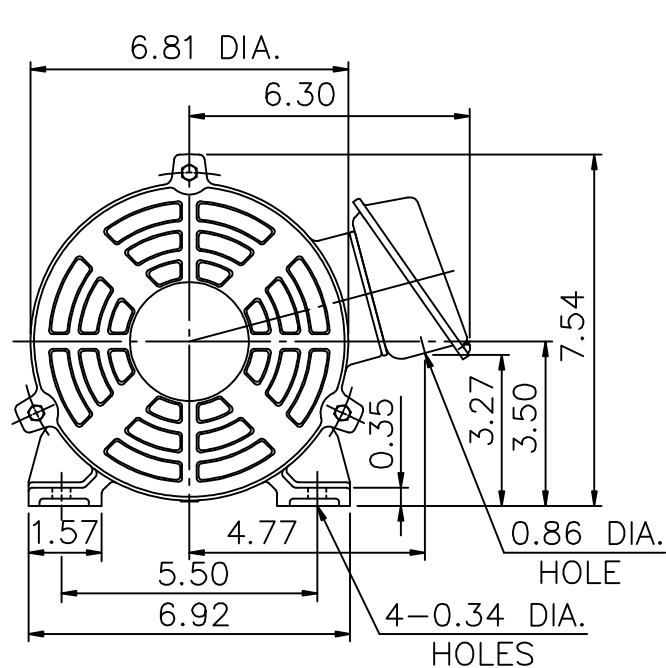


EXTRA-MAX ALTERNATING CURRENT MOTORS

SQUIRREL-CAGE INDUCTION

ENCLOSURE: OPEN DRIP-PROOF
MOUNTING: FOOT

CAST IRON FRAME
FRAME 145T



- (1) DIMENSIONS ARE IN INCHES
 (2) APPROXIMATE WEIGHT = 0.75 HP, 4 P, -52 LBS.
 1 HP, 6 P, -52 LBS.
 1.5 HP, 4 P, -50 LBS.
 2 HP, 4 P, -52 LBS.
 2 HP, 2 P, -50 LBS.
 3 HP, 2 P, -52 LBS.
 (3) DRIVE END BEARING 6205zz
 OPPOSITE DRIVE END BEARING 6205zz
 (4) INTERNAL VOLUME OF CONDUIT BOX=30.2 Cu. IN.

Preliminary Drawing for Reference Only

OUTPUT	POLE	SYN. SPEED	VOLT	FREQ.	CERTIFIED BY _____	DATE _____
TATUNG					DR. BY <u>W. D. KUD</u> CK. BY <u>L. J. LEE</u> APP. BY <u>T. M. LIAD</u> DATE <u>NOV. 27. 2008</u>	DIMENSION SHEET AS-880396 ISSUE DATE JAN. 17. 1998