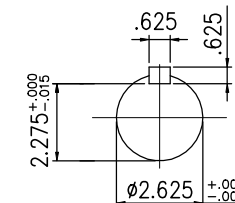
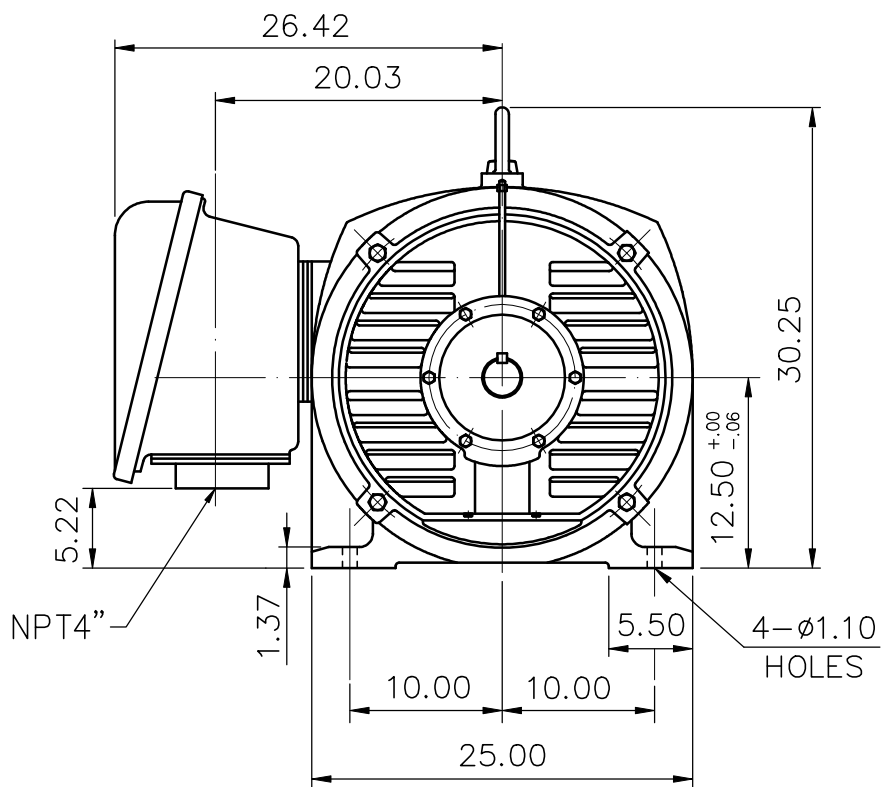
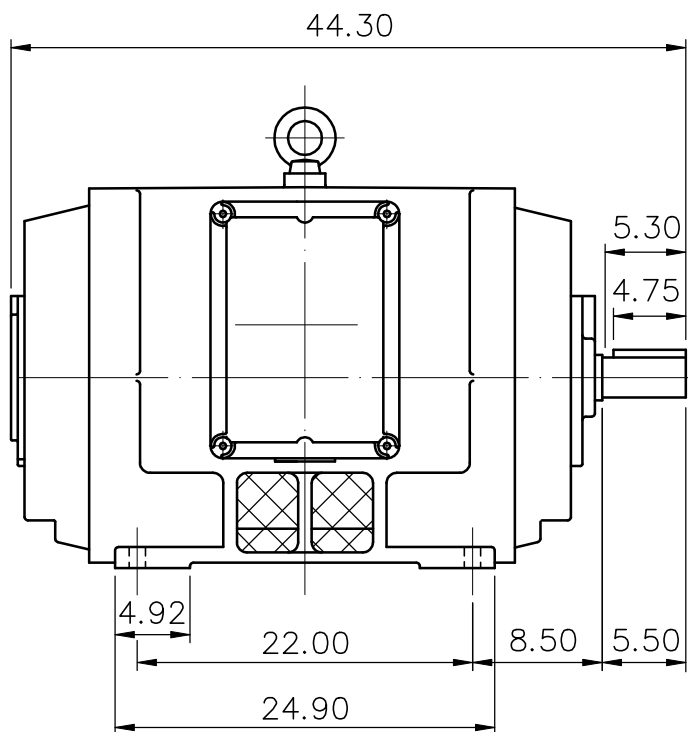


EXTRA-MAX ALTERNATING CURRENT MOTORS

SQUIRREL-CAGE INDUCTION

ENCLOSURE: OPEN DRIP PROOF
MOUNTING: FOOT

CAST IRON FRAME
FRAME 5007NS



Preliminary Drawing for Reference Only

- (1) DIMENSIONS ARE IN INCHES.
- (2) APPROXIMATE WEIGHT = 3250LBS
- (3) DRIVE END BEARING 6314C3
OPPOSITE DRIVE END BEARING 6314C3

OUTPUT	POLE	SYN. SPEED	VOLT	FREQ.	CERTIFIED BY	DATE
				DR. BY	W. D. KUO	
				CK. BY	L. J. LEE	
				APP. BY	C. L. WANG	
				DATE	AUG. 11. 2011	
DIMENSION SHEET				AS-000239		