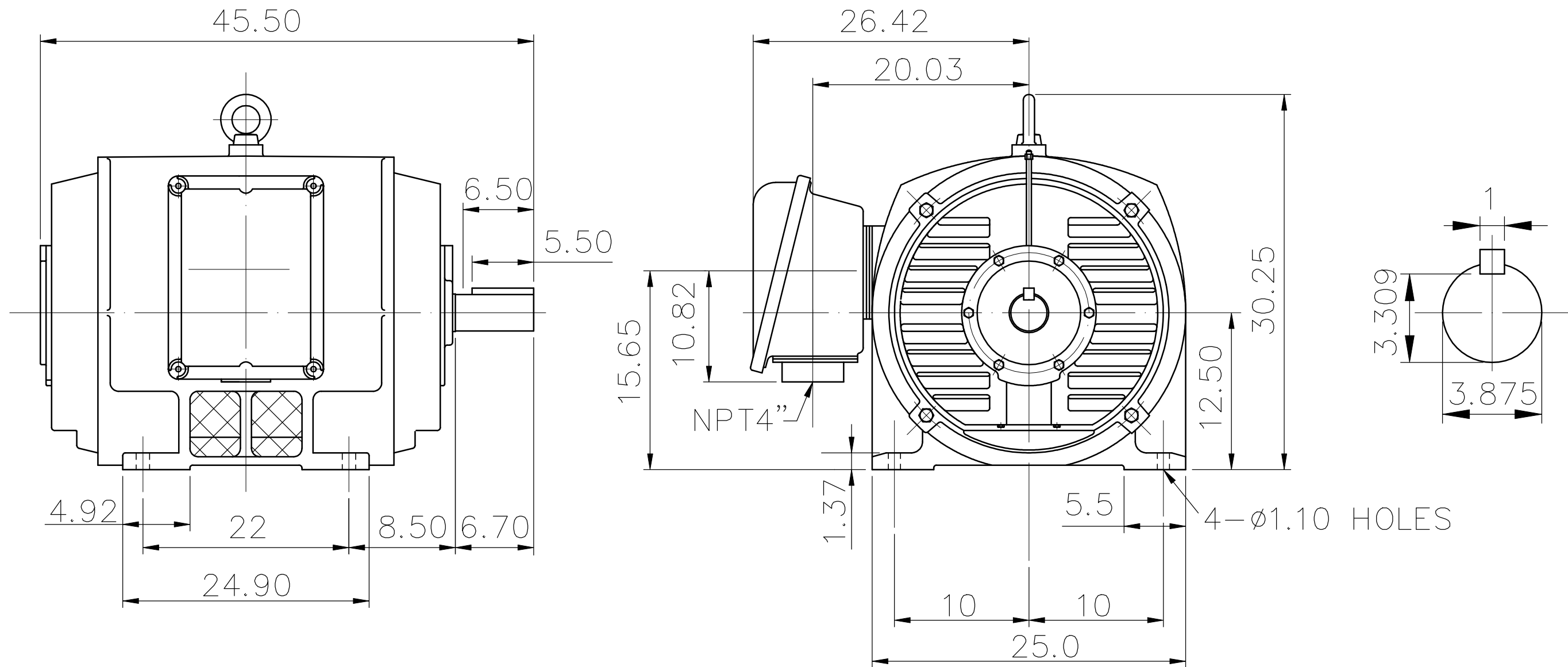


# EXTRA-MAX ALTERNATING CURRENT MOTORS

SQUIRREL-CAGE INDUCTION

CAST IRON FRAME  
FRAME 5007N


ENCLOSURE: OPEN DRIP PROOF  
MOUNTING: FOOT



- (1) DIMENSIONS ARE IN INCHES.
- (2) APPROXIMATE WEIGHT = 350 HP 6 P — 3350 LBS  
400 HP 6 P — 3400 LBS

- (3) DRIVE END BEARING 6224C3  
OPPOSITE DRIVE END BEARING 6224C3

**Preliminary Drawing for Reference Only**

OUTPUT	POLE	SYN. SPEED	VOLT	FREQ.	CERTIFIED BY _____ DATE _____	
					<b>DIMENSION SHEET AS-000240</b>	
					APP. BY T. M. LIAO	
					DATE NOV. 27. 2008	