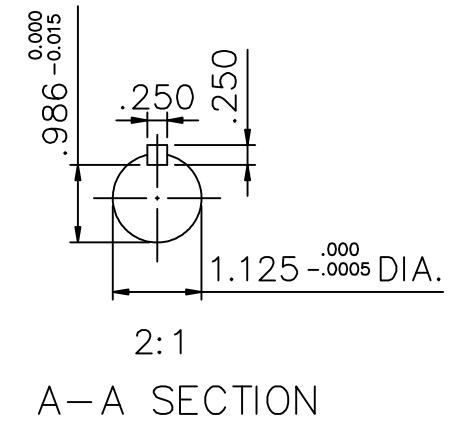
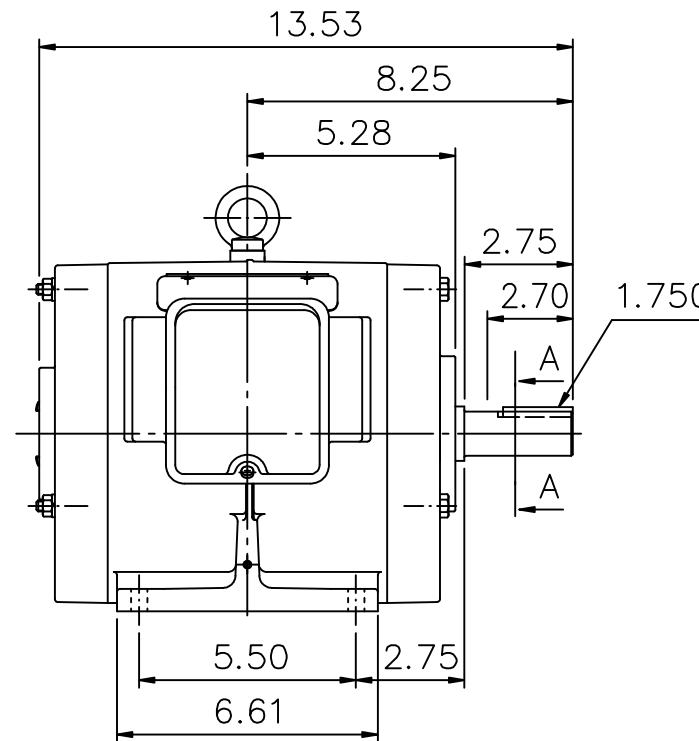
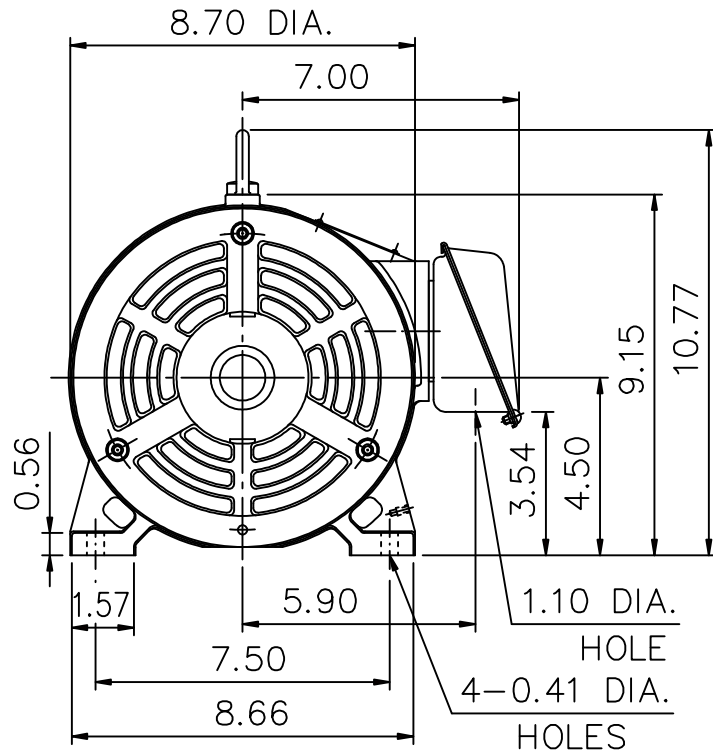


EXTRA-MAX ALTERNATING CURRENT MOTORS

SQUIRREL-CAGE INDUCTION

ENCLOSURE: OPEN DRIP PROOF
MOUNTING: FOOT

CAST IRON FRAME
FRAME 184T



- (1) DIMENSIONS ARE IN INCHES.
 (2) APPROXIMATE WEIGHT = 2 HP, 6 P, -96 LBS.
 5 HP, 4 P, -96 LBS.
 7.5 HP, 2 P, -91 LBS.
 (3) DRIVE END BEARING 6207ZZ
 OPPOSITE DRIVE END BEARING 6206ZZ
 (4) INTERNAL VOLUME OF CONDUIT BOX=30.2 CU. IN.

Preliminary Drawing for Reference Only

OUTPUT	POLE	SYN. SPEED	VOLT	FREQ.	CERTIFIED BY _____ DATE _____	
					DIMENSION SHEET	
					ISSUE DATE JAN. 18, 1998	