

EXTRA-MAX ALTERNATING CURRENT MOTORS

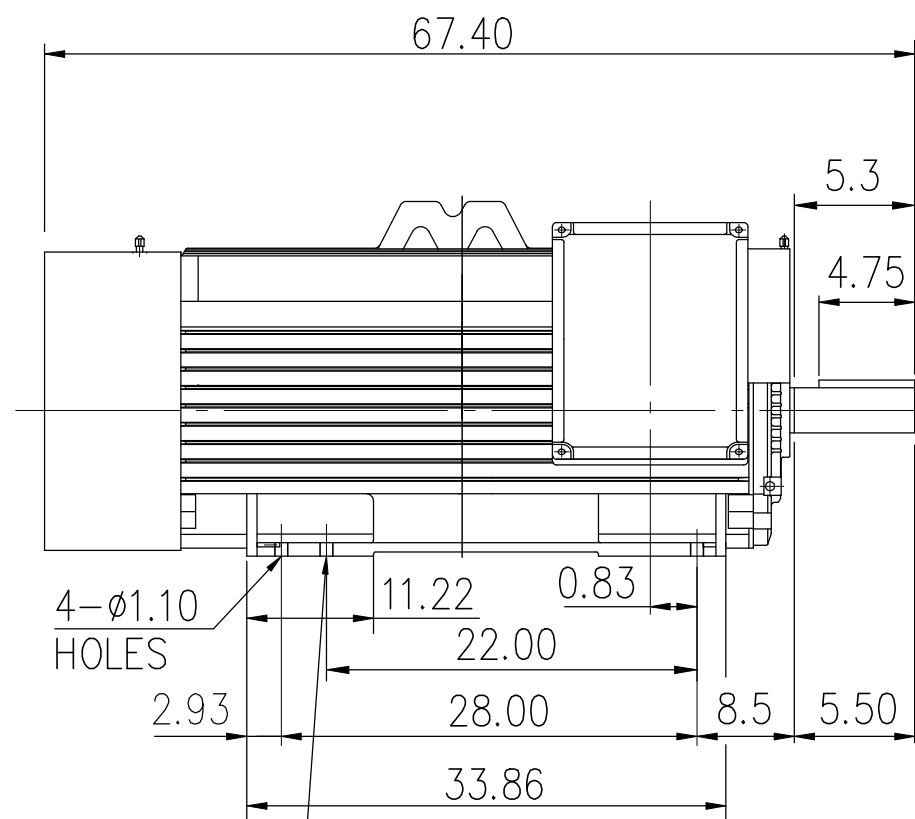
SQUIRREL-CAGE INDUCTION

ENCLOSURE: TOTALLY ENCLOSED

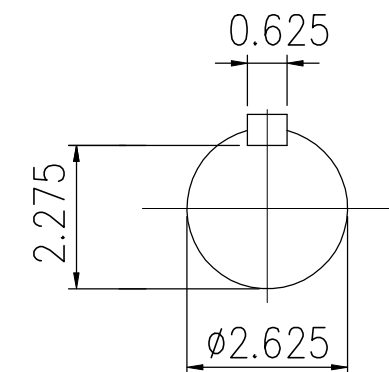
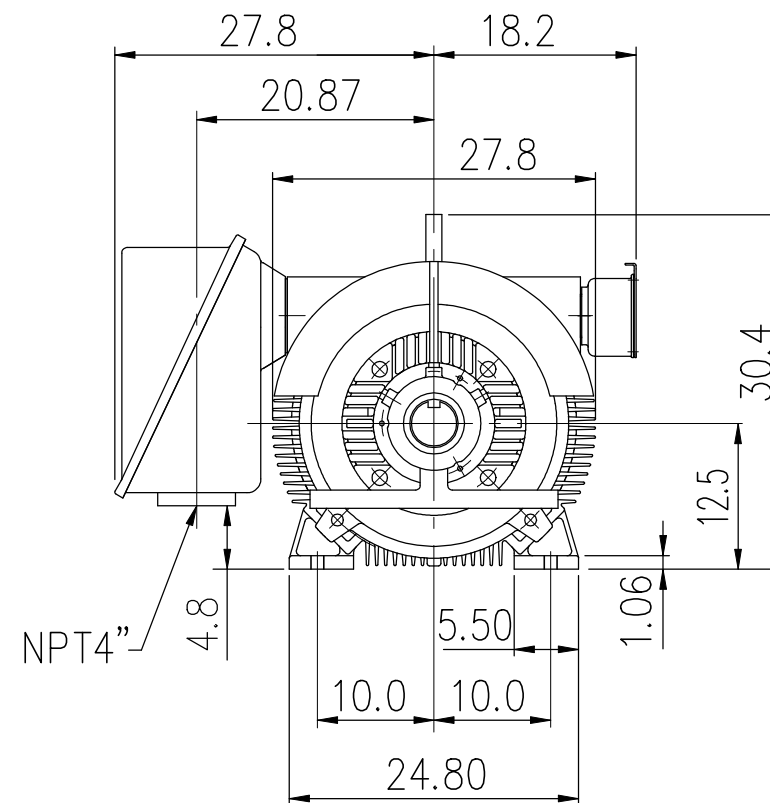
MOUNTING: FOOT

CAST IRON FRAME
FRAME N5007/9S

COOLING: FAN COOLED



2 SPARE HOLES
(NOT USED FOR GENERAL MOUNTING)



- (1) DIMENSIONS ARE IN INCHES.
- (2) APPROXIMATE WEIGHT = 350 HP, 2 P, - 4405 LBS.
400 HP, 2 P, - 4405 LBS.
- (3) DRIVE END BEARING 6315C3
OPPOSITE DRIVE END BEARING 6315C3

Preliminary Drawing for Reference Only

OUTPUT	POLE	SYN. SPEED	VOLT	FREQ.	CERTIFIED BY _____	DATE _____
					DR. BY	W. D. KUD
					CK. BY	L. J. LEE
					APP. BY	T. M. LIAD
					DATE	NOV. 27. 2008
					DIMENSION SHEET	AS-000223