

# EXTRA-MAX ALTERNATING CURRENT MOTORS

SQUIRREL-CAGE INDUCTION

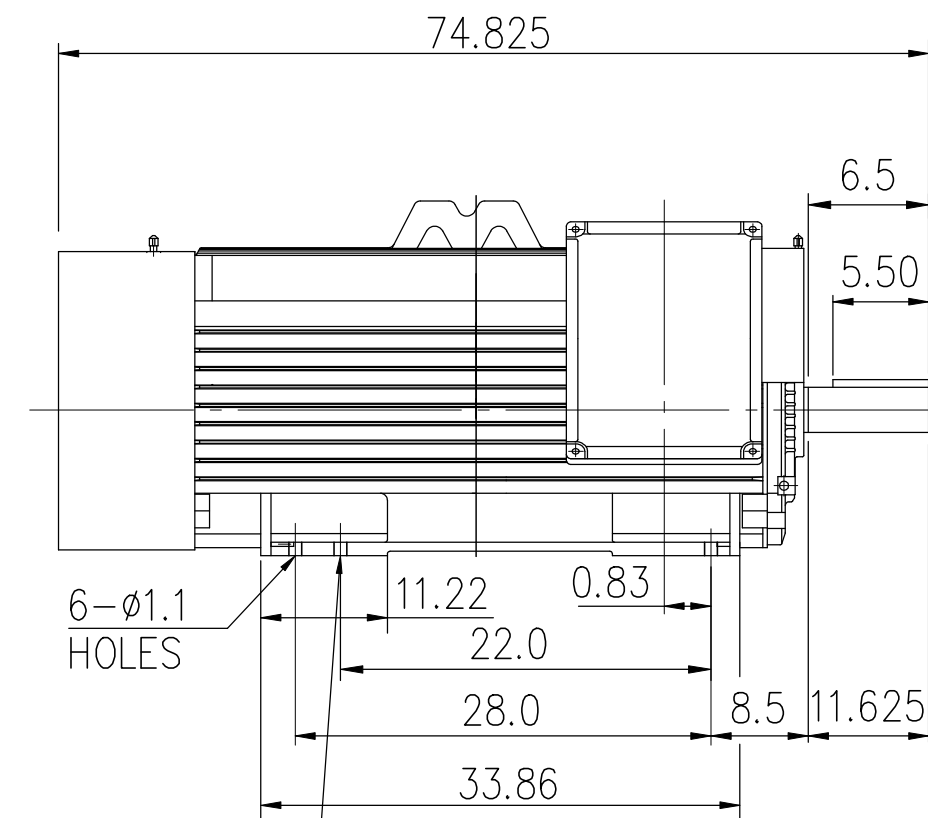
ENCLOSURE: TOTALLY ENCLOSED

MOUNTING: FOOT

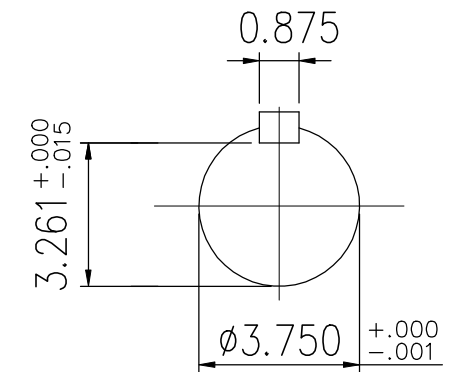
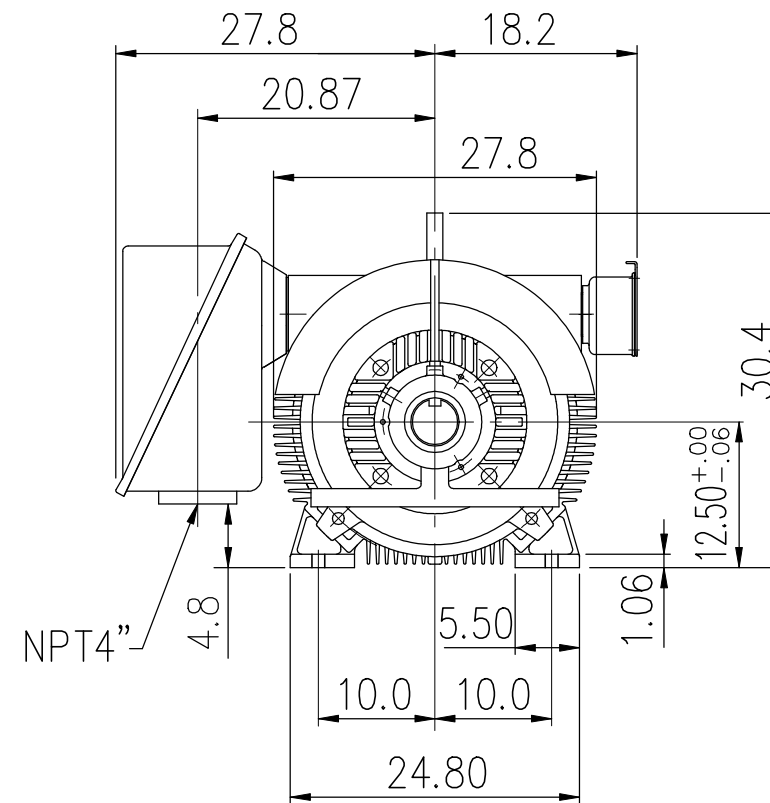
CAST IRON FRAME

FRAME N5007/9UZ

COOLING: FAN COOLED



2 SPARE HOLES  
(NOT USED FOR GENERAL MOUNTING)



< 1 > DIMENSIONS ARE IN INCHES.

< 2 > APPROXIMATE WEIGHT = 350 HP, 6 P, - 4405 LBS.  
 400 HP, 4 P, - 4405 LBS.  
 400 HP, 6 P, - 4405 LBS.  
 450 HP, 4 P, - 4405 LBS.

< 3 > DRIVE END BEARING NU224C3  
 OPPOSITE DRIVE END BEARING 6222

Preliminary Drawing for Reference Only

OUTPUT	POLE	SYN. SPEED	VOLT	FREQ.	CERTIFIED BY _____ DATE _____	
					DR. BY <u>W. D. KUD</u> CK. BY <u>L. J. LEE</u> APP. BY <u>T. M. LIAD</u> DATE <u>NOV. 27. 2008</u>	
					DIMENSION SHEET	