

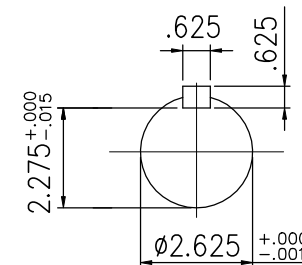
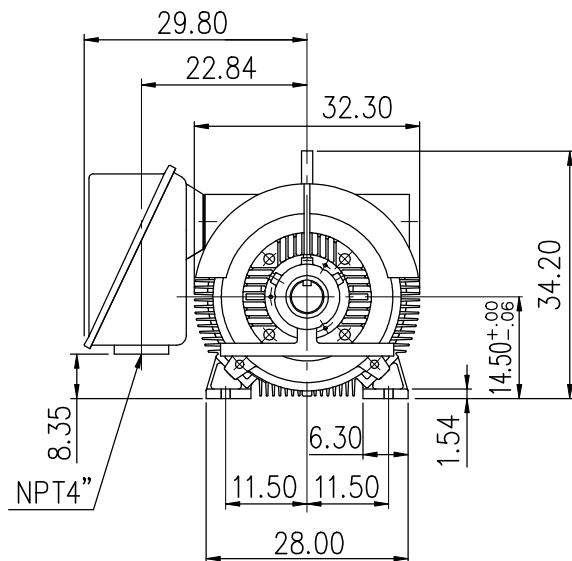
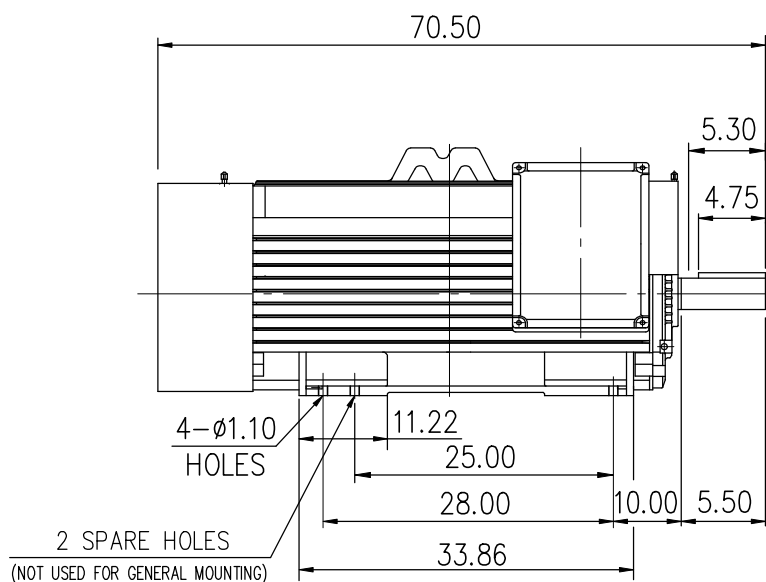
# EXTRA-MAX ALTERNATING CURRENT MOTORS

SQUIRREL-CAGE INDUCTION

ENCLOSURE: TOTALLY ENCLOSED  
MOUNTING: FOOT

CAST IRON FRAME  
FRAME N5808(S)

COOLING: FAN COOLED



Preliminary Drawing for Reference Only

- (1) DIMENSIONS ARE IN INCHES.
- (2) APPROXIMATE WEIGHT = 5400 LBS.
- (3) DRIVE END BEARING 6218C3  
OPPOSITE DRIVE END BEARING 6218C3

OUTPUT	POLE	SYN. SPEED	VOLT	FREQ.	CERTIFIED BY _____ DATE _____		
				DR. BY	W. D. KUD	<b>DIMENSION SHEET</b>	<b>AS-000225</b>
				CK. BY	L. J. LEE		
APP. BY	C. L. WANG						
DATE	AUG. 11. 2011						