

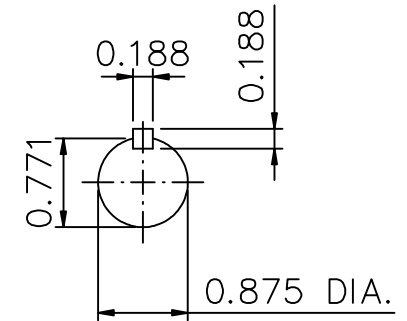
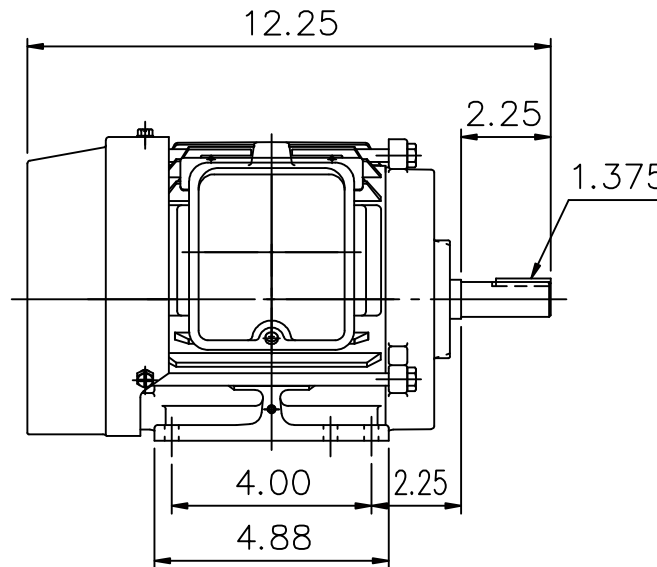
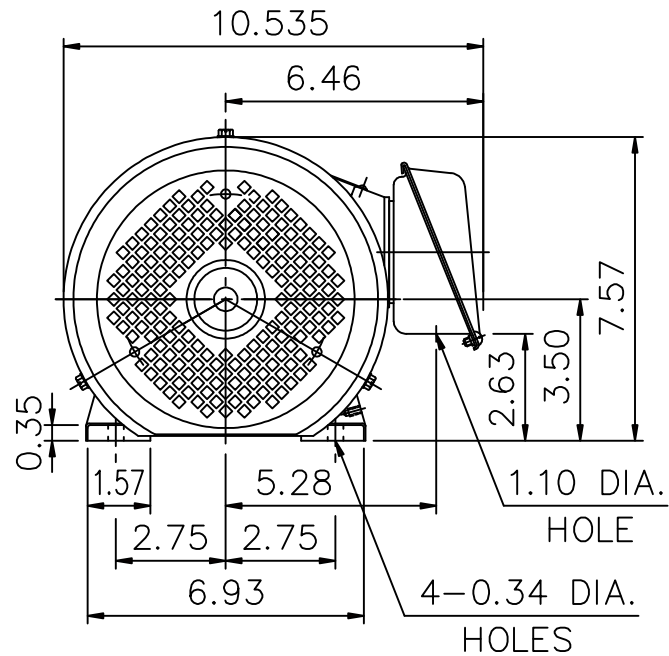
# EXTRA-MAX ALTERNATING CURRENT MOTORS

## SQUIRREL-CAGE INDUCTION

ENCLOSURE: TOTALLY ENCLOSED  
MOUNTING: FOOT

CAST IRON FRAME  
FRAME 143T

COOLING: FAN COOLED



- (1) DIMENSIONS ARE IN INCHES
- (2) APPROXIMATE WEIGHT = 1 HP, 4 P, -50 LBS.
- (3) DRIVE END BEARING 6205zz  
OPPOSITE DRIVE END BEARING 6205zz
- (4) INTERNAL VOLUME OF CONDUIT BOX=30.2 CU. IN.

Preliminary Drawing for Reference Only

| OUTPUT   | POLE | SYN. SPEED | VOLT | FREQ. | CERTIFIED BY _____ DATE _____    |
|--|------|------------|------|-------|----------------------------------|
|  |      |            |      |       | <b>DIMENSION SHEET AS-870381</b> |
| <small>DR. BY V. D. KUO<br/>CK. BY L. J. LEE<br/>APP. BY T. M. LIAD<br/>DATE NOV. 27, 2008</small> |      |            |      |       |                                  |