

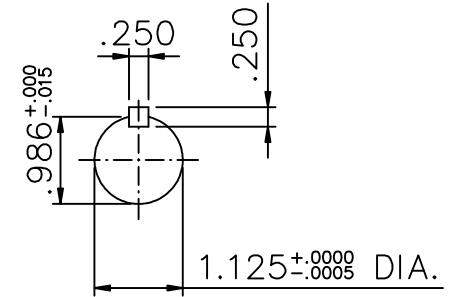
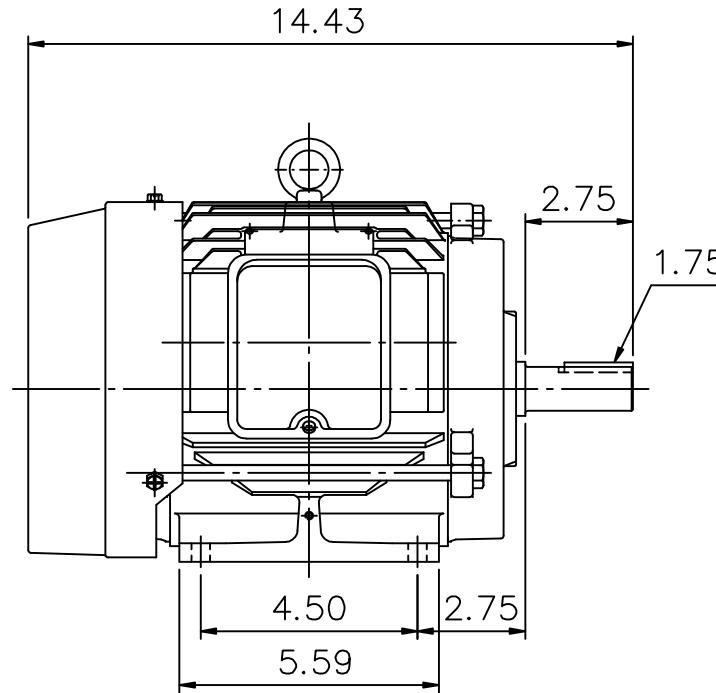
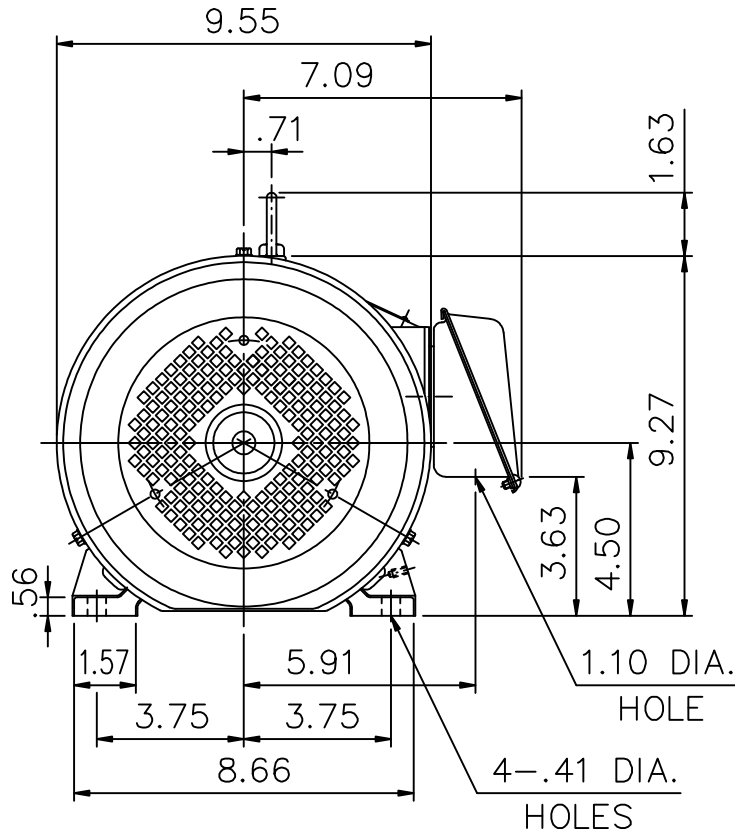
# EXTRA-MAX ALTERNATING CURRENT MOTORS

SQUIRREL-CAGE INDUCTION

ENCLOSURE: TOTALLY ENCLOSED  
MOUNTING: FOOT

CAST IRON FRAME  
FRAME 182T

COOLING: FAN COOLED



- (1) DIMENSIONS ARE IN INCHES
- (2) APPROXIMATE WEIGHT = 3 HP, 2 P, -78 LBS.  
3 HP, 4 P, -80 LBS.  
1.5 HP, 6 P, -80 LBS.
- (3) DRIVE END BEARING 6207zz  
OPPOSITE DRIVE END BEARING 6206zz
- (4) INTERNAL VOLUME OF CONDUIT BOX=30.2 CU, IN.

Preliminary Drawing for Reference Only

OUTPUT	POLE	SYN. SPEED	VOLT	FREQ.	CERTIFIED BY _____ DATE _____	
					<b>DIMENSION SHEET AS-870383 ①</b>	