

EXTRA-MAX ALTERNATING CURRENT MOTORS

SQUIRREL-CAGE INDUCTION

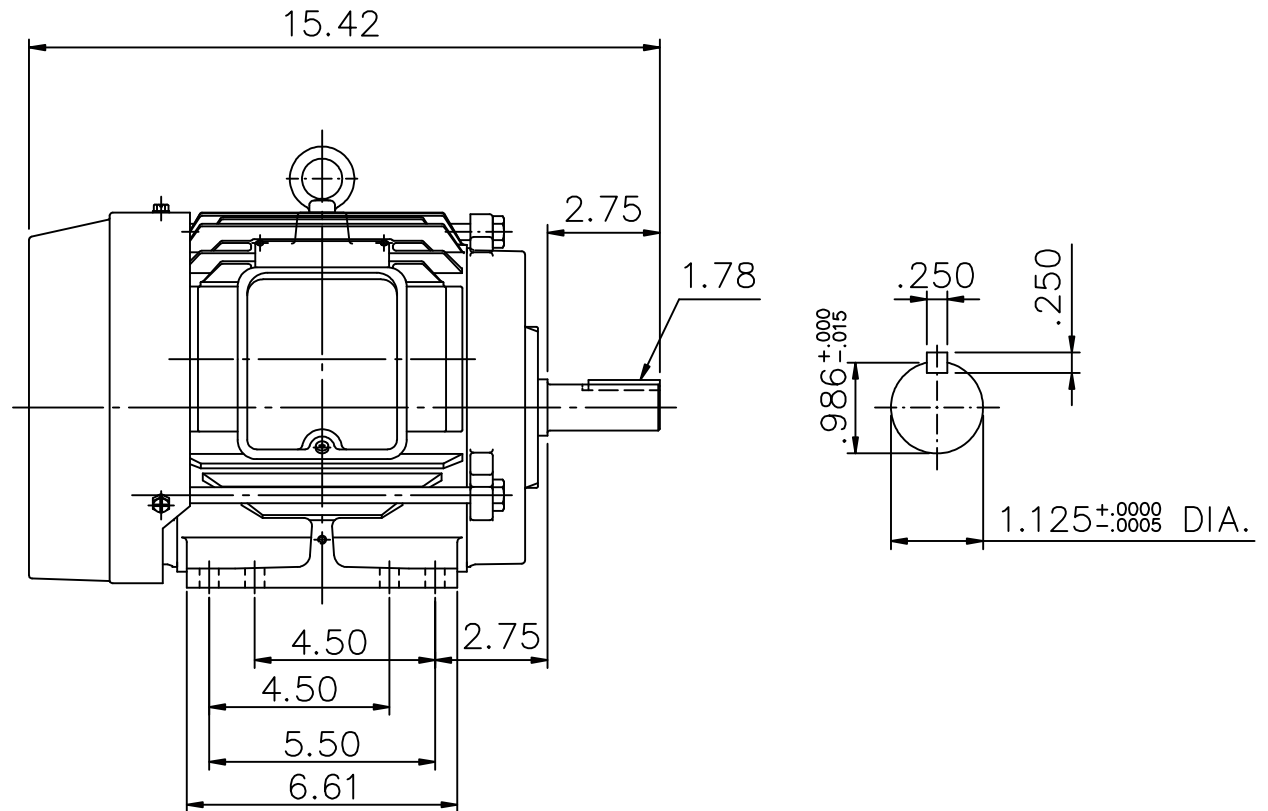
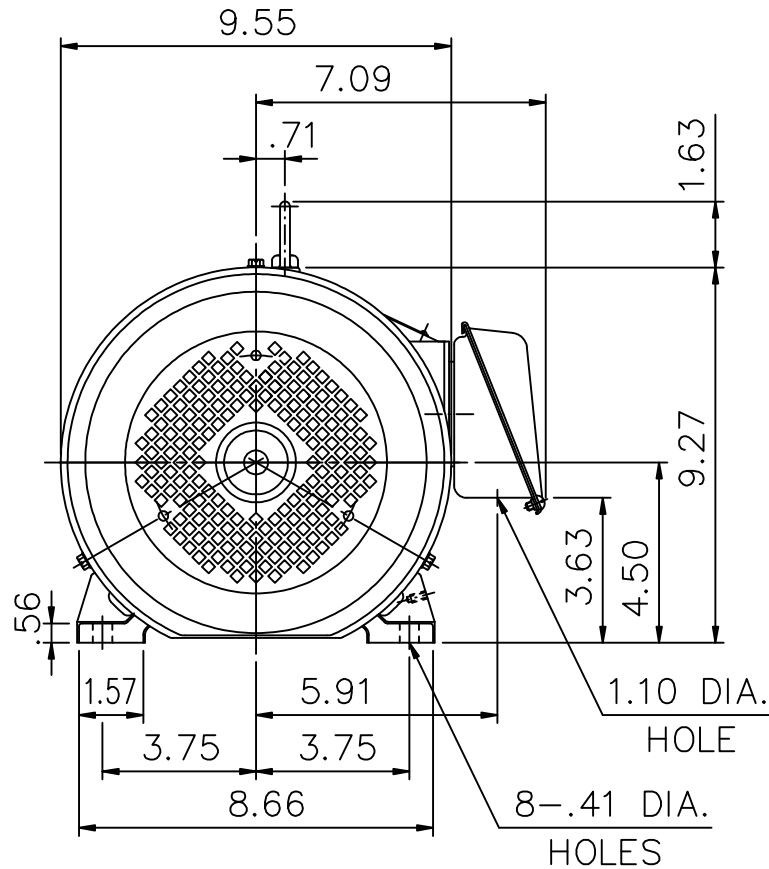
ENCLOSURE: TOTALLY ENCLOSED

MOUNTING: FOOT

CAST IRON FRAME

FRAME 184T

COOLING: FAN COOLED



- (1) DIMENSIONS ARE IN INCHES
- (2) APPROXIMATE WEIGHT = 5 HP, 2 P, -92 LBS.
5 HP, 4 P, -95 LBS.
2 HP, 6 P, -95 LBS.
- (3) DRIVE END BEARING 6207zz
OPPOSITE DRIVE END BEARING 6206zz
- (4) INTERNAL VOLUME OF CONDUIT BOX=30.2 CU, IN.

Preliminary Drawing for Reference Only

OUTPUT	POLE	SYN. SPEED	VOLT	FREQ.	CERTIFIED BY _____ DATE _____	
					DR. BY W. D. KUD	
					CK. BY L. J. LEE	
		APP. BY T. M. LIAD		DIMENSION SHEET AS-870384 ①		
		DATE NOV. 27, 2008				