

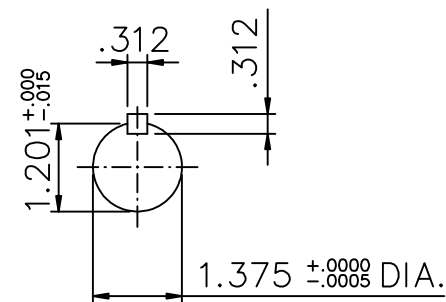
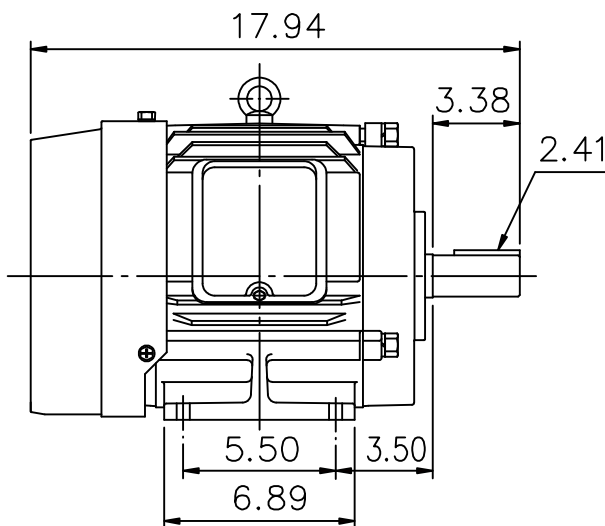
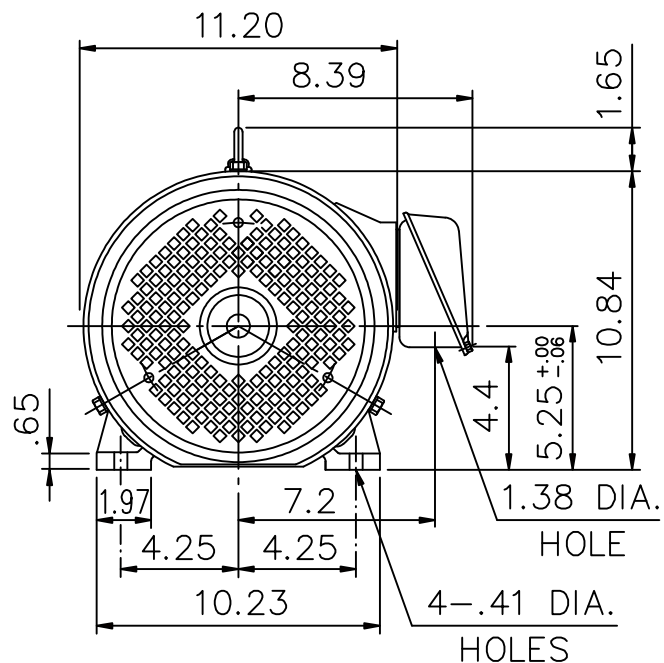
EXTRA-MAX ALTERNATING CURRENT MOTORS

SQUIRREL-CAGE INDUCTION

ENCLOSURE: TOTALLY ENCLOSED
MOUNTING: FOOT

CAST IRON FRAME
FRAME 213T

COOLING: FAN COOLED



- (1) DIMENSIONS ARE IN INCHES
- (2) APPROXIMATE WEIGHT = 7.5 HP, 2 P, -138 LBS.
7.5 HP, 4 P, -140 LBS.
3 HP, 6 P, -130 LBS.
- (3) DRIVE END BEARING 6308zz
OPPOSITE DRIVE END BEARING 6208zz
- (4) INTERNAL VOLUME OF CONDUIT BOX=50.3 CU, IN.

Preliminary Drawing for Reference Only

OUTPUT	POLE	SYN. SPEED	VOLT	FREQ.	CERTIFIED BY _____	DATE _____
					DIMENSION SHEET AS-870385 ①	
DR. BY <u>W. D. KUD</u> CK. BY <u>L. J. LEE</u> APP. BY <u>T. M. LIAD</u> DATE <u>NOV. 27, 2008</u>						