

# EXTRA-MAX ALTERNATING CURRENT MOTORS

SQUIRREL-CAGE INDUCTION

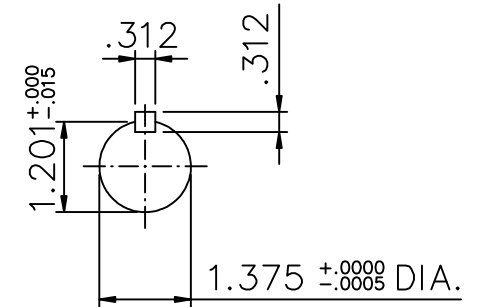
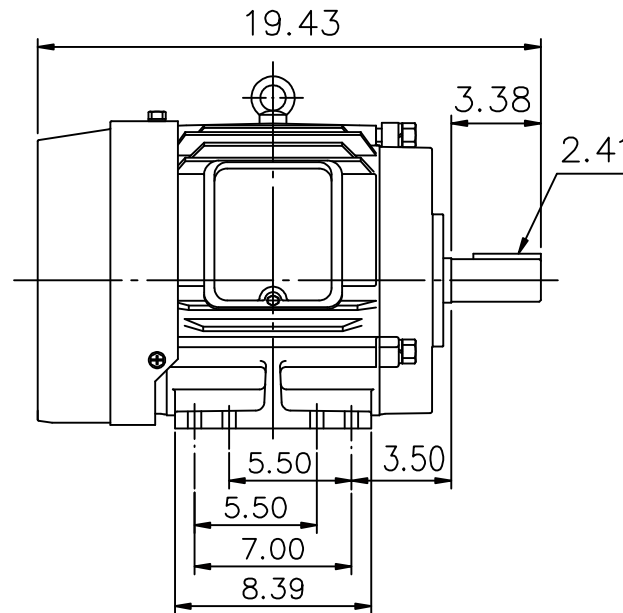
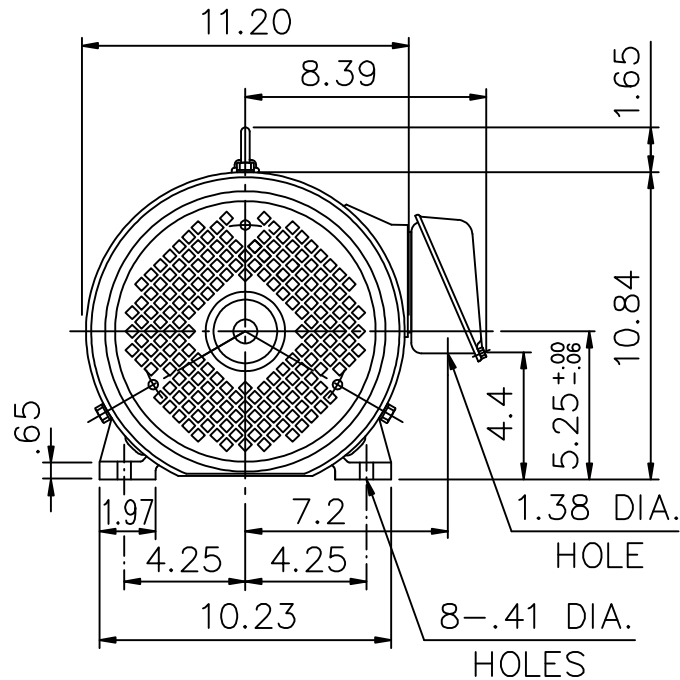
ENCLOSURE: TOTALLY ENCLOSED

MOUNTING: FOOT

CAST IRON FRAME

FRAME 215T

COOLING: FAN COOLED



- (1) DIMENSIONS ARE IN INCHES
- (2) APPROXIMATE WEIGHT = 10 HP, 2 P, -146 LBS.  
10 HP, 4 P, -152 LBS.  
5 HP, 6 P, -152 LBS.
- (3) DRIVE END BEARING 6308zz  
OPPOSITE DRIVE END BEARING 6208zz
- (4) INTERNAL VOLUME OF CONDUIT BOX=50.3 CU. IN.

Preliminary Drawing for Reference Only

OUTPUT	POLE	SYN. SPEED	VOLT	FREQ.	CERTIFIED BY _____ DATE _____	
					DR. BY <u>W. D. KUD</u> CK. BY <u>L. J. LEE</u> APP. BY <u>T. M. LIAD</u> DATE <u>NOV. 27, 2008</u>	
					DIMENSION SHEET AS-870386 ①	