

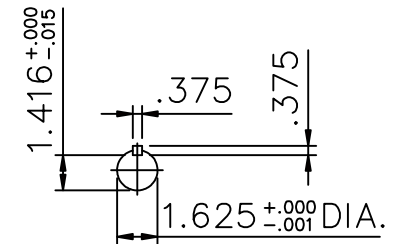
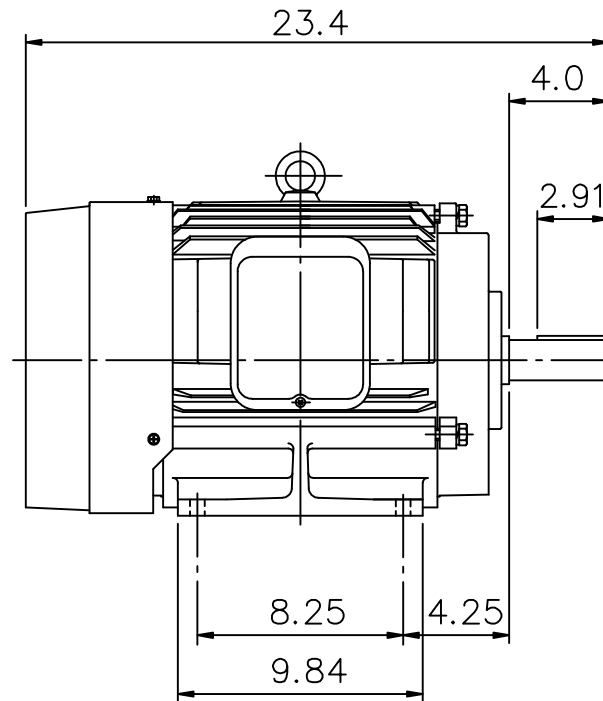
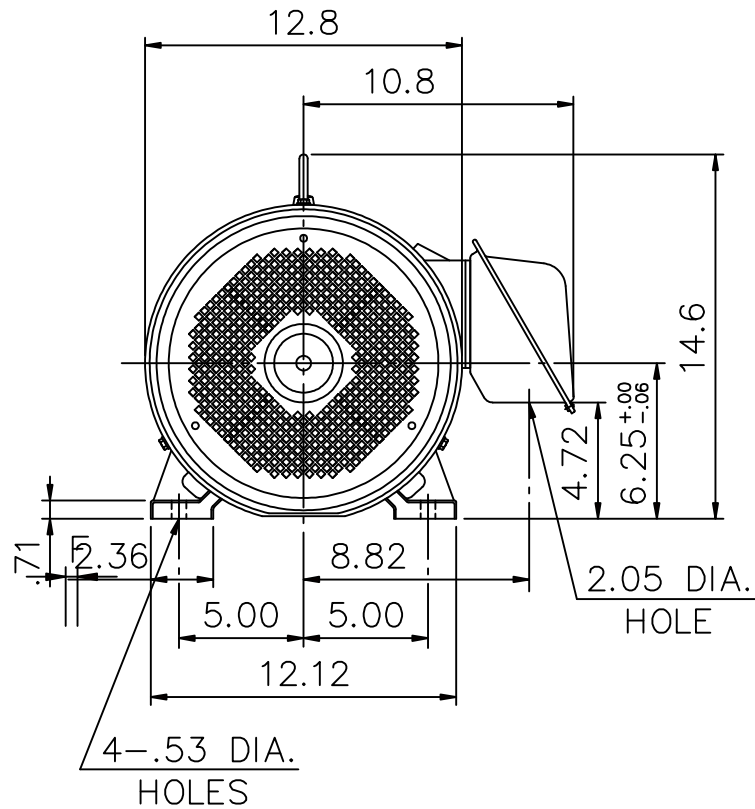
EXTRA-MAX ALTERNATING CURRENT MOTORS

SQUIRREL-CAGE INDUCTION

ENCLOSURE: TOTALLY ENCLOSED
MOUNTING: FOOT

CAST IRON FRAME
FRAME 254T

COOLING: FAN COOLED



- (1) DIMENSIONS ARE IN INCHES.
- (2) APPROXIMATE WEIGHT = 15 HP, 2 P, - 292 LBS.
15 HP, 4 P, - 284 LBS.
7.5 HP, 6 P, - 262 LBS.
- (3) DRIVE END BEARING 6310ZZ
OPPOSITE DRIVE END BEARING 6208ZZ
- (4) INTERNAL VOLUME OF CONDUIT BOX=110.9 CU, IN.

Preliminary Drawing for Reference Only

OUTPUT	POLE	SYN. SPEED	VOLT	FREQ.	CERTIFIED BY _____ DATE _____
					DR. BY <u>W. D. KUO</u> CK. BY <u>L. J. LEE</u> APP. BY <u>T. M. LIAD</u> DATE <u>NOV. 27, 2008</u>
DIMENSION SHEET					AS-872716 ①