

EXTRA-MAX ALTERNATING CURRENT MOTORS

SQUIRREL-CAGE INDUCTION

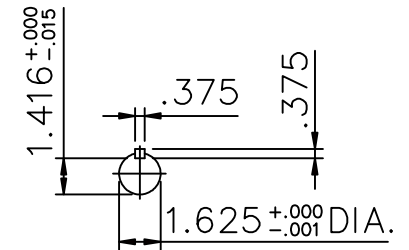
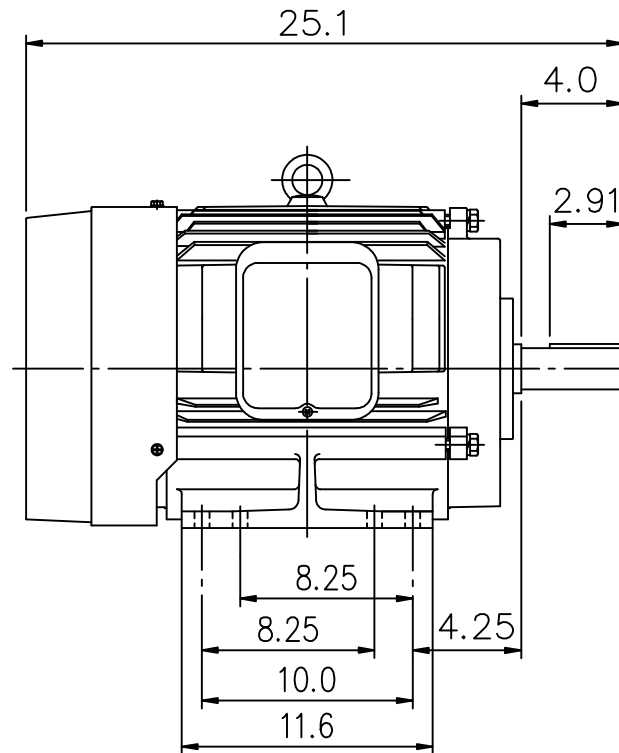
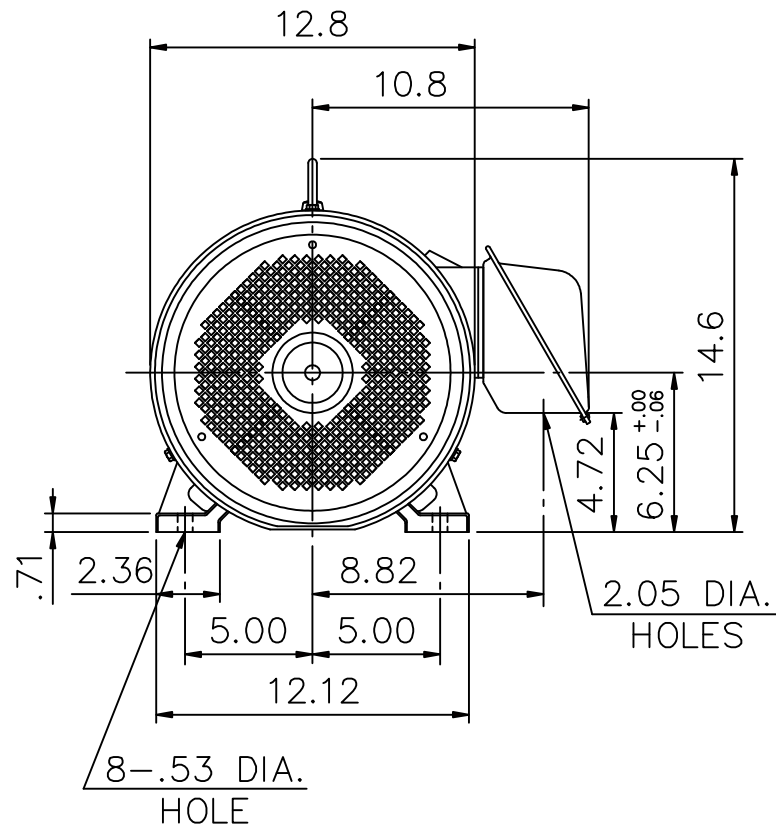
ENCLOSURE: TOTALLY ENCLOSED

MOUNTING: FOOT

CAST IRON FRAME

FRAME 256T

COOLING: FAN COOLED



(1) DIMENSIONS ARE IN INCHES.

(2) APPROXIMATE WEIGHT = 20 HP, 2P, -326 LBS.
 20 HP, 4P, -308 LBS
 10 HP, 6P, -310 LBS

(3) DRIVE END BEARING 6310ZZ
 OPPOSITE DRIVE END BEARING 6208ZZ

(4) INTERNAL VOLUME OF CONDUIT BOX= 110.9 CU. IN.

Preliminary Drawing for Reference Only

OUTPUT	POLE	SYN. SPEED	VOLT	FREQ.	CERTIFIED BY _____ DATE _____	
					DR. BY <u>W. D. KUD</u> CK. BY <u>L. J. LEE</u> APP. BY <u>T. M. LIAO</u> DATE <u>NOV. 27, 2008</u>	
					DIMENSION SHEET AS-872717 ①	