

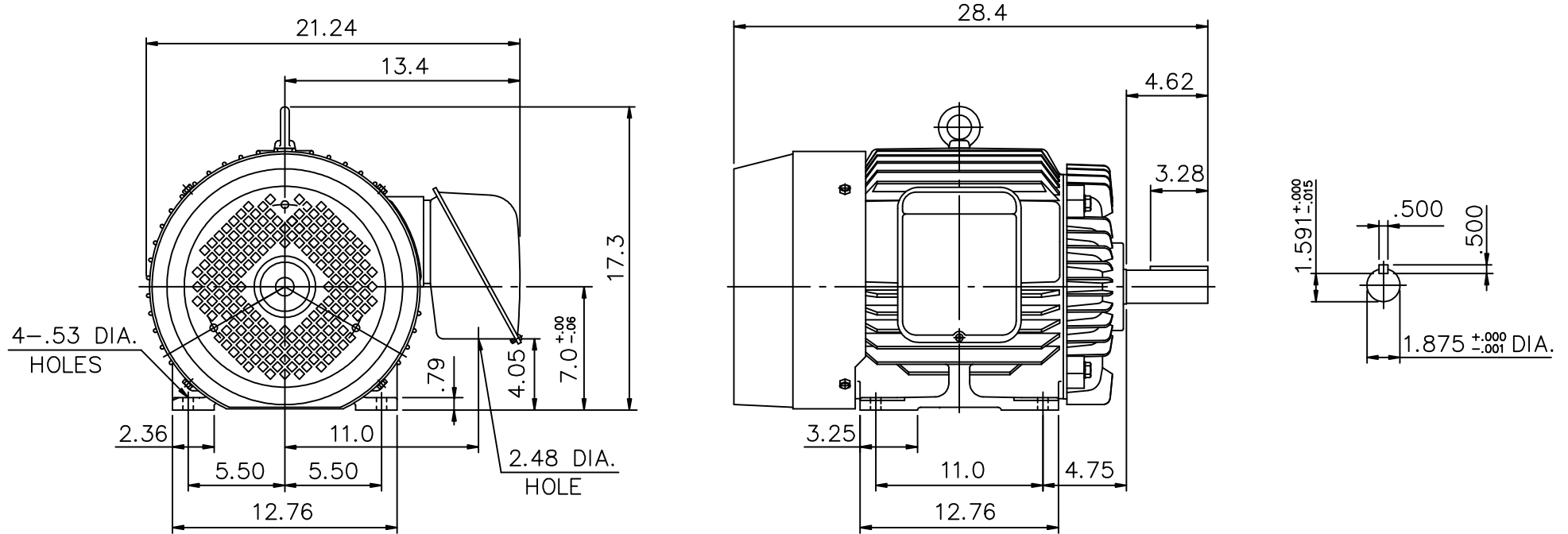
EXTRA-MAX ALTERNATING CURRENT MOTORS

SQUIRREL-CAGE INDUCTION

ENCLOSURE: TOTALLY ENCLOSED
MOUNTING: FOOT

CAST IRON FRAME
FRAME 286T

COOLING: FAN COOLED



- (1) DIMENSIONS ARE IN INCHES.
- (2) APPROXIMATE WEIGHT = 30 HP, 4P, -479 LBS,
20 HP, 6P, -470 LBS
- (3) DRIVE END BEARING 6310ZZ
OPPOSITE DRIVE END BEARING 6210ZZ
- (4) INTERNAL VOLUME OF CONDUIT BOX= 244 CU. IN.

Preliminary Drawing for Reference Only

OUTPUT	POLE	SYN. SPEED	VOLT	FREQ.	CERTIFIED BY _____ DATE _____	
					DR. BY	W. D. KUD
					CK. BY	L. J. LEE
					APP. BY	T. M. LIAO
					DATE	NOV. 27, 2008
DIMENSION SHEET					AS-872720	