

EXTRA-MAX ALTERNATING CURRENT MOTORS

SQUIRREL-CAGE INDUCTION

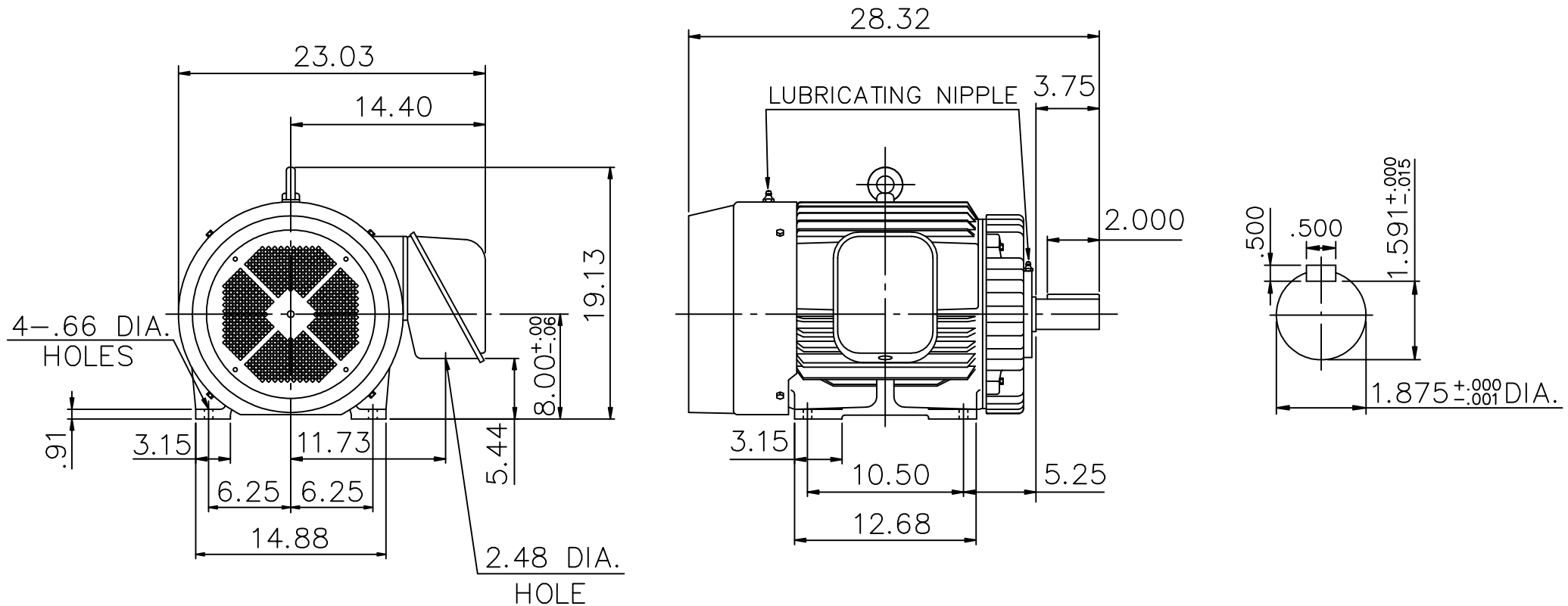
ENCLOSURE: TOTALLY ENCLOSED

MOUNTING: FOOT

CAST IRON FRAME

FRAME 324TS

COOLING: FAN COOLED



- (1) DIMENSIONS ARE IN INCHES.
- (2) APPROXIMATE WEIGHT = 40 HP, 2 P, - 626 LBS.
- (3) DRIVE END BEARING 6312C3
OPPOSITE DRIVE END BEARING 6212C3
- (4) INTERNAL VOLUME OF CONDUIT BOX=244 CU, IN.

Preliminary Drawing for Reference Only

OUTPUT	POLE	SYN. SPEED	VOLT	FREQ.	CERTIFIED BY	DATE
				DR. BY	W. D. KUO	
				CK. BY	L. J. LEE	
				APP. BY	T. M. LIAD	
				DATE	NOV. 27, 2008	
				DIMENSION SHEET AS-872723		