

EXTRA-MAX ALTERNATING CURRENT MOTORS

SQUIRREL-CAGE INDUCTION

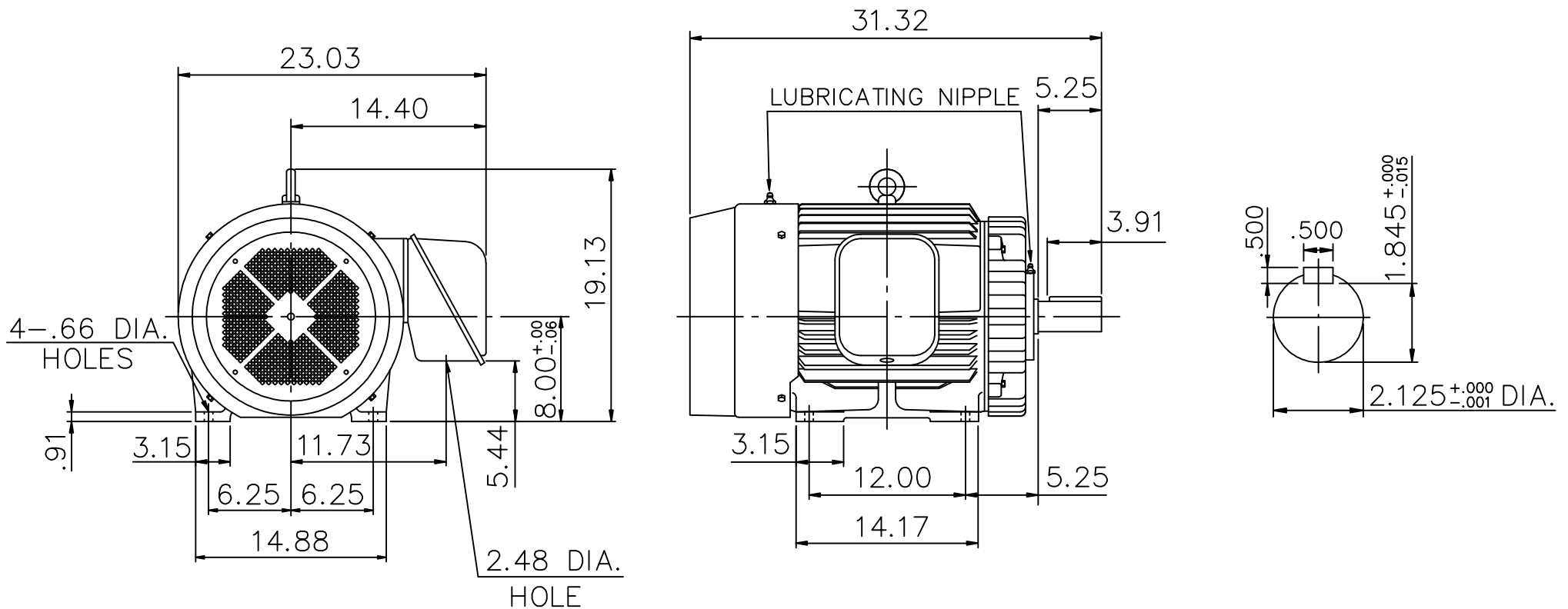
ENCLOSURE: TOTALLY ENCLOSED

MOUNTING: FOOT

CAST IRON FRAME

FRAME 326T

COOLING: FAN COOLED



- (1) DIMENSIONS ARE IN INCHES.
- (2) APPROXIMATE WEIGHT = 50 HP, 4 P, - 696 LBS.
30 HP, 6 P, - 641 LBS.
- (3) DRIVE END BEARING 6312
OPPOSITE DRIVE END BEARING 6212
- (4) INTERNAL VOLUME OF CONDUIT BOX=244 CU, IN.

Preliminary Drawing for Reference Only

OUTPUT	POLE	SYN. SPEED	VOLT	FREQ.	CERTIFIED BY _____ DATE _____	
					DIMENSION SHEET	
<small>DR. BY V. D. KUD CK. BY L. J. LEE APP. BY T. M. LIAO DATE NOV. 27. 2008</small>						