

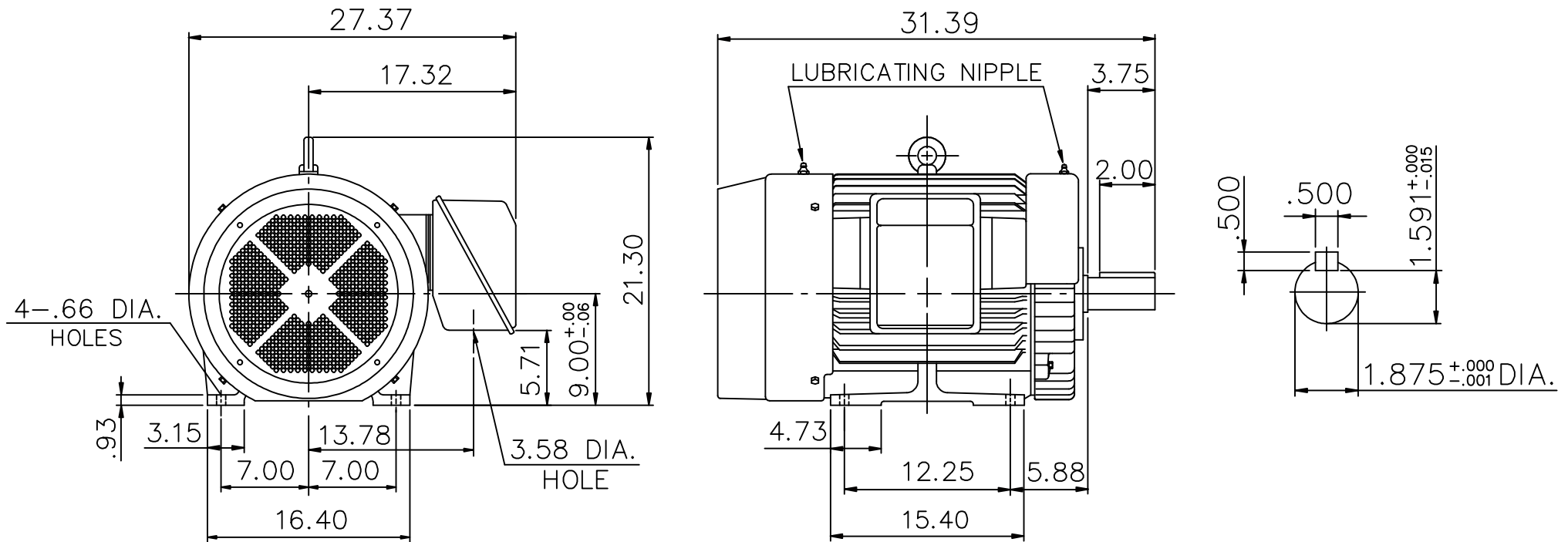
EXTRA-MAX ALTERNATING CURRENT MOTORS

SQUIRREL-CAGE INDUCTION

ENCLOSURE: TOTALLY ENCLOSED
MOUNTING: FOOT

CAST IRON FRAME
FRAME 365TS

COOLING: FAN COOLED



- (1) DIMENSIONS ARE IN INCHES.
- (2) APPROXIMATE WEIGHT = 75 HP, 2 P, - 936 LBS.
- (3) DRIVE END BEARING 6312C3
OPPOSITE DRIVE END BEARING 6312C3
- (4) INTERNAL VOLUME OF CONDUIT BOX= 550 CU, IN.

Preliminary Drawing for Reference Only

OUTPUT	POLE	SYN. SPEED	VOLT	FREQ.	CERTIFIED BY _____ DATE _____	
				DR. BY W. D. KUD		DIMENSION SHEET
				CK. BY L. J. LEE		
		APP. BY T. M. LIAD				
		DATE NOV. 27, 2008				