

# EXTRA-MAX ALTERNATING CURRENT MOTORS

SQUIRREL-CAGE INDUCTION

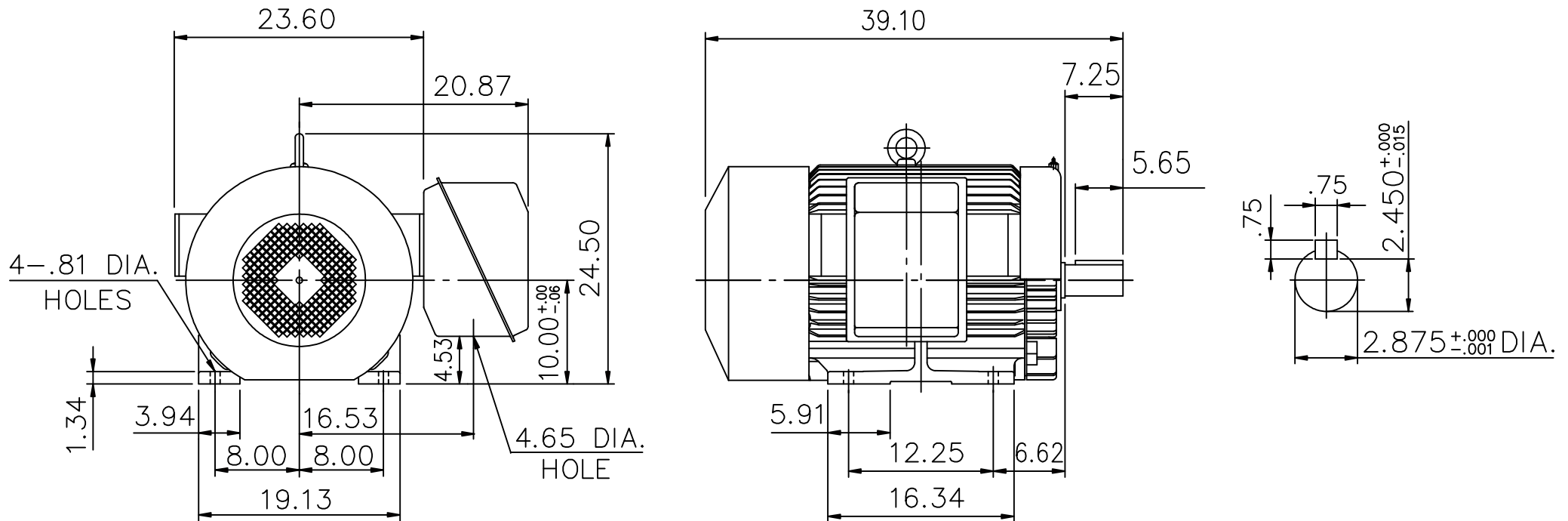
ENCLOSURE: TOTALLY ENCLOSED

MOUNTING: FOOT

CAST IRON FRAME


FRAME 404T

COOLING: FAN COOLED



- (1) DIMENSIONS ARE IN INCHES.
- (2) APPROXIMATE WEIGHT = 60 HP, 6P, - 1340LBS.
- (3) DRIVE END BEARING NU218  
OPPOSITE DRIVE END BEARING 6313
- (4) INTERNAL VOLUME OF CONDUIT BOX= 1185 CU,IN.

Preliminary Drawing for Reference Only

OUTPUT	POLE	SYN. SPEED	VOLT	FREQ.	CERTIFIED BY _____ DATE _____	
					<b>DIMENSION SHEET</b>	<b>AS-966820</b>
						
					CK. BY <u>L. J. LEE</u>	
					APP. BY <u>T. M. LIAD</u>	
					DATE <u>NOV. 27. 2008</u>	