

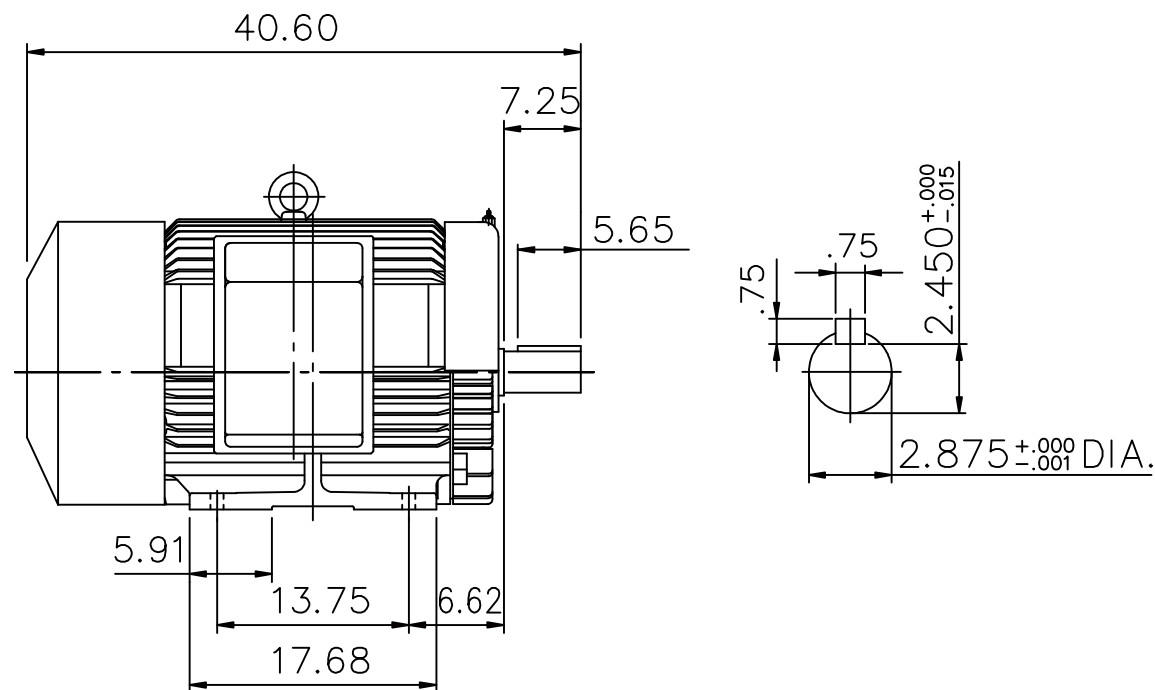
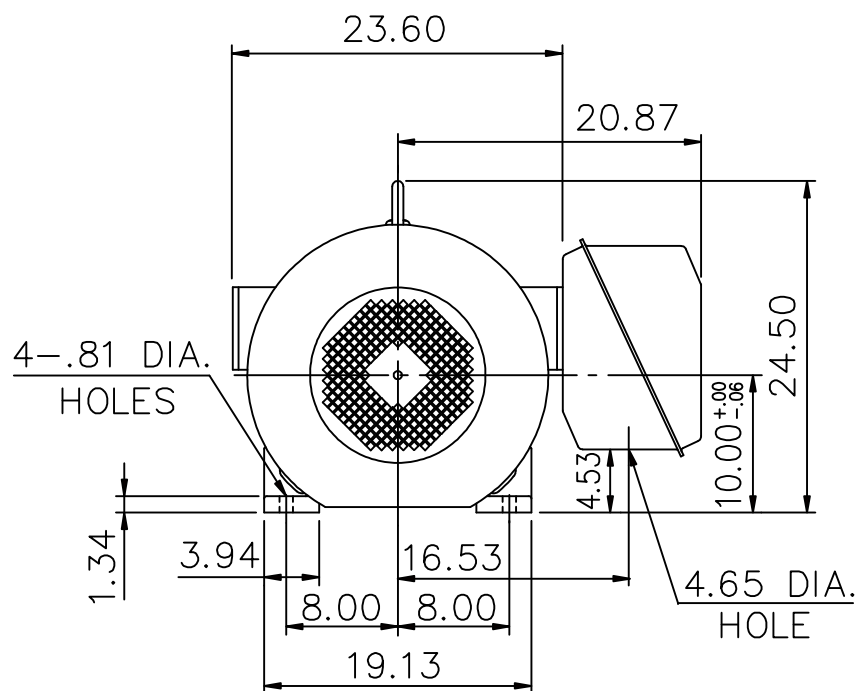
EXTRA-MAX ALTERNATING CURRENT MOTORS

SQUIRREL-CAGE INDUCTION

ENCLOSURE: TOTALLY ENCLOSED
MOUNTING: FOOT

CAST IRON FRAME
FRAME 405T

COOLING: FAN COOLED



- (1) DIMENSIONS ARE IN INCHES.
 (2) APPROXIMATE WEIGHT = 100 HP, 4P, 1467 LBS
 75 HP, 6P, 1488 LBS
 (3) DRIVE END BEARING NU218
 OPPOSITE DRIVE END BEARING 6313
 (4) INTERNAL VOLUME OF CONDUIT BOX= 1185 CU , IN.

Preliminary Drawing for Reference Only

OUTPUT	POLE	SYN. SPEED	VOLT	FREQ.	CERTIFIED BY	DATE
				DR. BY	W. D. KUO	
				CK. BY	L. J. LEE	
				APP. BY	T. M. LIAD	
				DATE	NOV. 27, 2008	
				DIMENSION SHEET		AS-966822