

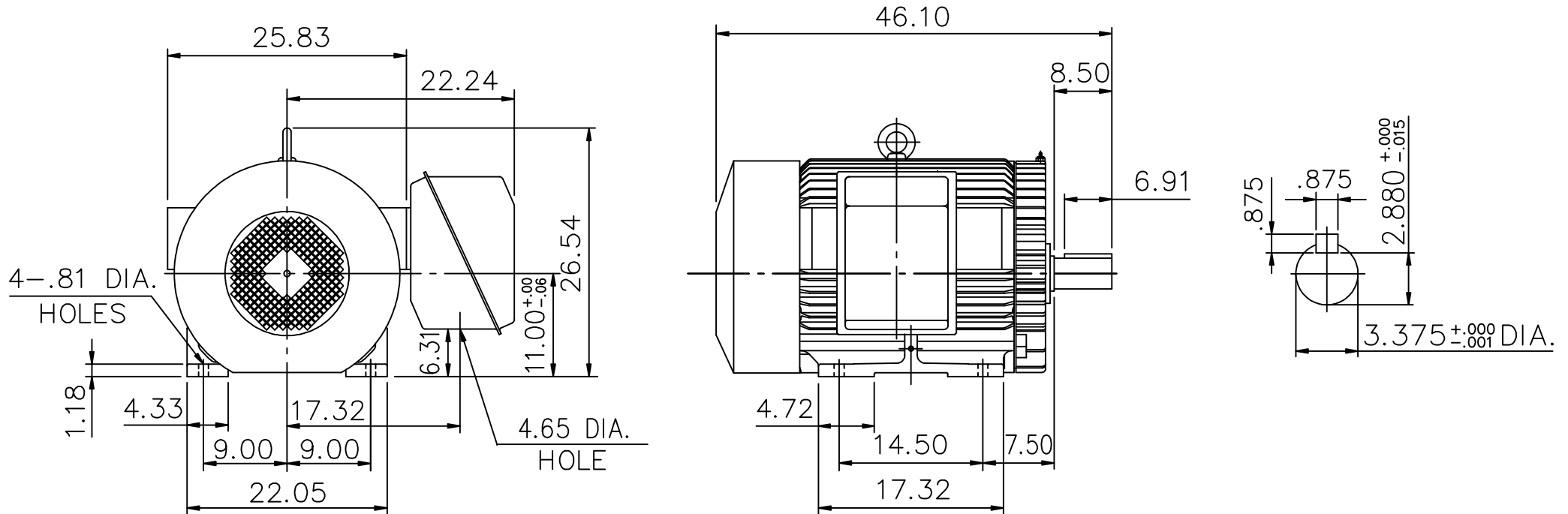
# EXTRA-MAX ALTERNATING CURRENT MOTORS

SQUIRREL-CAGE INDUCTION

ENCLOSURE: TOTALLY ENCLOSED  
MOUNTING: FOOT

CAST IRON FRAME  
FRAME 444T

COOLING: FAN COOLED



- (1) DIMENSIONS ARE IN INCHES.
- (2) APPROXIMATE WEIGHT = 125 HP, 4P, 1812LBS  
100 HP, 6P, 1824LBS
- (3) DRIVE END BEARING NU220  
OPPOSITE DRIVE END BEARING 6315
- (4) INTERNAL VOLUME OF CONDUIT BOX= 1185 CU , IN.

Preliminary Drawing for Reference Only

OUTPUT	POLE	SYN. SPEED	VOLT	FREQ.	CERTIFIED BY _____ DATE _____	
					<b>DIMENSION SHEET</b>	
					DR. BY W. D. KUD CK. BY L. J. LEE APP. BY T. M. LIAD DATE NOV. 27, 2008	