

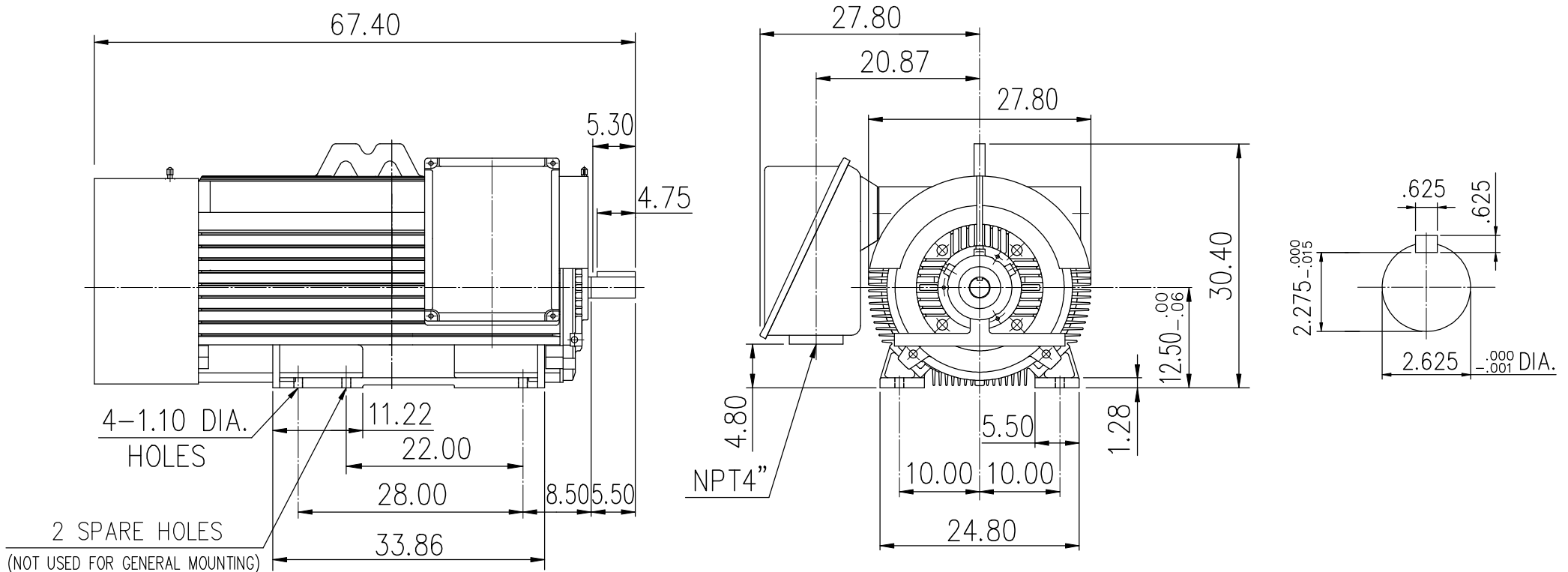
# SUPERMAX-841 SEVERE DUTY ALTERNATING CURRENT MOTORS

SQUIRREL-CAGE INDUCTION

ENCLOSURE: TOTALLY ENCLOSED  
MOUNTING: FOOT


CAST IRON FRAME  
FRAME N5007/9S

COOLING: FAN COOLED



Preliminary Drawing for Reference Only

- (1) DIMENSIONS ARE IN INCHES.
- (2) APPROXIMATE WEIGHT = 4400 LBS.
- (3) DRIVE END BEARING 6315C3  
OPPOSITE DRIVE END BEARING 6315C3

OUTPUT	POLE	SYN. SPEED	VOLT	FREQ.	CERTIFIED BY _____ DATE _____	
					DR. BY	W. D. KUI
					CK. BY	L. J. LEE
					APP. BY	C. L. WANG
					DATE	AUG. 11, 2011
DIMENSION SHEET					AS-003190	