

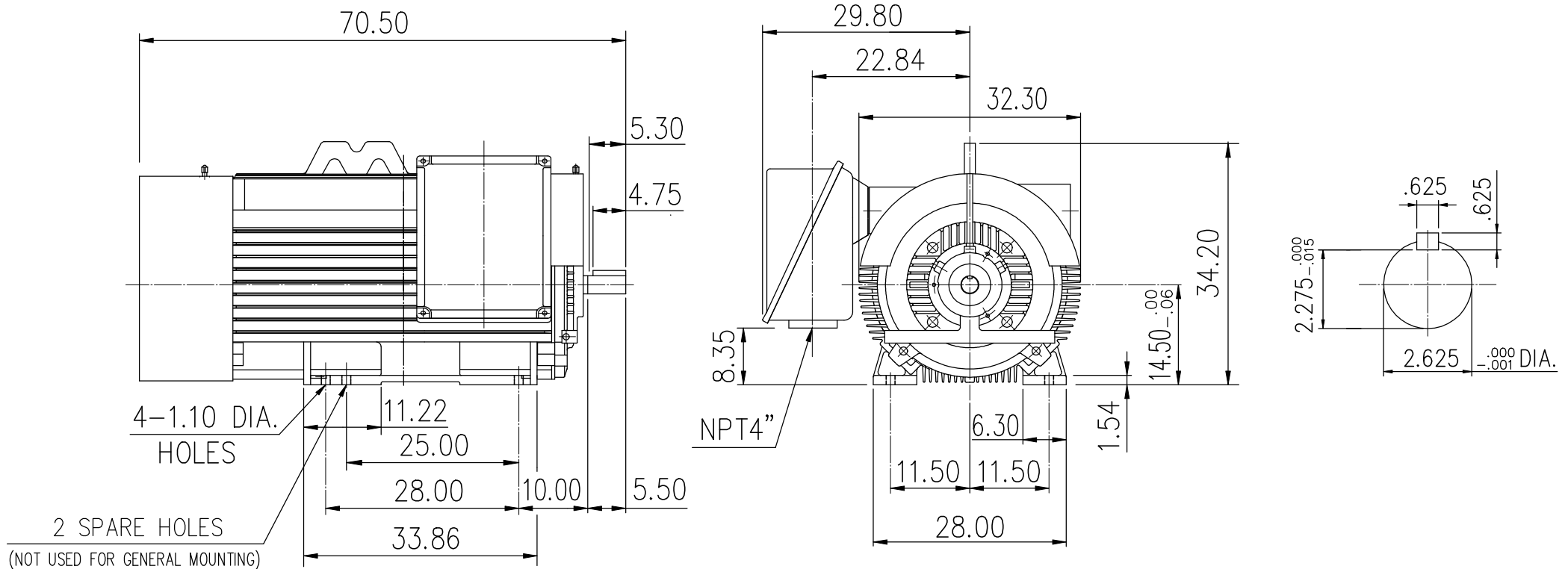
SUPERMAX-841 SEVERE DUTY ALTERNATING CURRENT MOTORS

SQUIRREL-CAGE INDUCTION

ENCLOSURE: TOTALLY ENCLOSED
MOUNTING: FOOT


CAST IRON FRAME
FRAME N5807/8S

COOLING: FAN COOLED



Preliminary Drawing for Reference Only

- (1) DIMENSIONS ARE IN INCHES.
- (2) APPROXIMATE WEIGHT = 5785 LBS.
- (3) DRIVE END BEARING 6218C3
OPPOSITE DRIVE END BEARING 6218C3

OUTPUT	POLE	SYN. SPEED	VOLT	FREQ.	CERTIFIED BY _____ DATE _____	
					DR. BY W. D. KUI	
					CK. BY L. J. LEE	
		APP. BY C. L. WANG		DIMENSION SHEET AS-003192		
		DATE AUG. 11. 2011				