

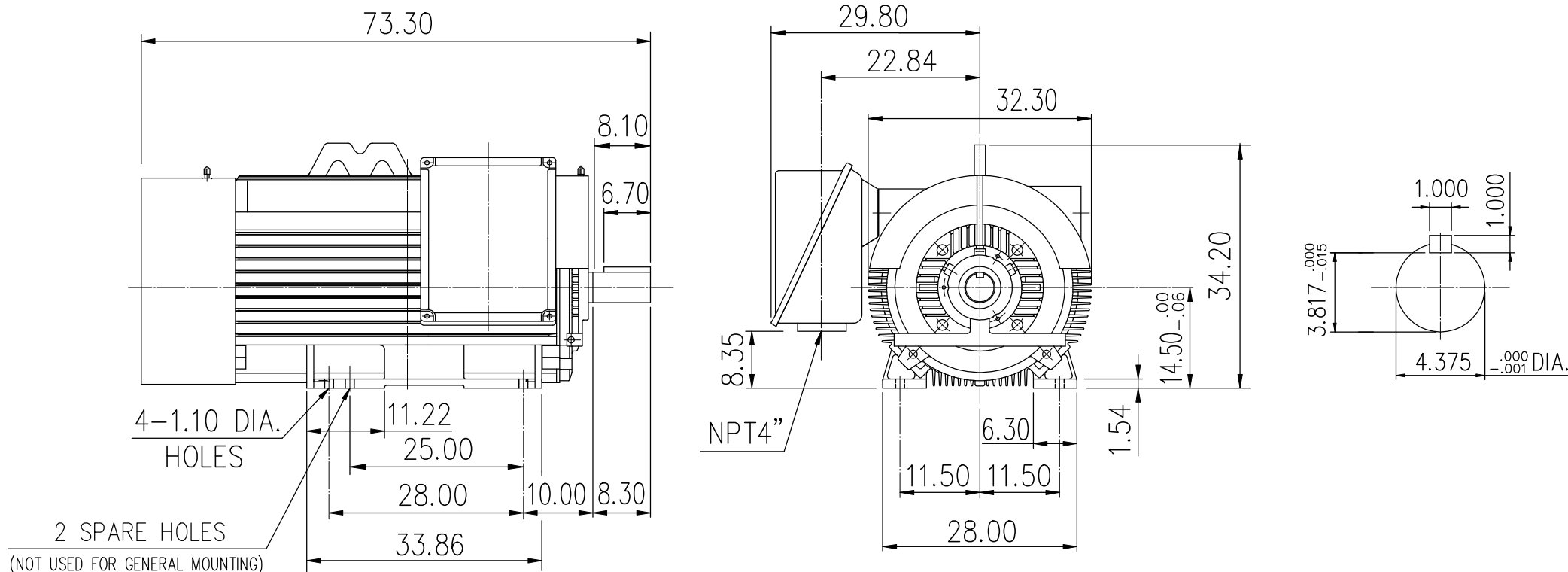
SUPERMAX-841 SEVERE DUTY ALTERNATING CURRENT MOTORS

SQUIRREL-CAGE INDUCTION

ENCLOSURE: TOTALLY ENCLOSED
MOUNTING: FOOT


CAST IRON FRAME
FRAME N5807/8

COOLING: FAN COOLED



Preliminary Drawing for Reference Only

- (1) DIMENSIONS ARE IN INCHES.
- (2) APPROXIMATE WEIGHT = 6068 LBS.
- (3) DRIVE END BEARING 6224C3
OPPOSITE DRIVE END BEARING 6224C3

OUTPUT	POLE	SYN. SPEED	VOLT	FREQ.	CERTIFIED BY _____ DATE _____	
					DR. BY	W. D. KUI
					CK. BY	L. J. LEE
					APP. BY	C. L. WANG
					DATE	AUG. 11, 2011
					DIMENSION SHEET	AS-003193