

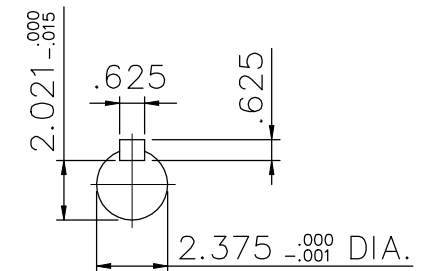
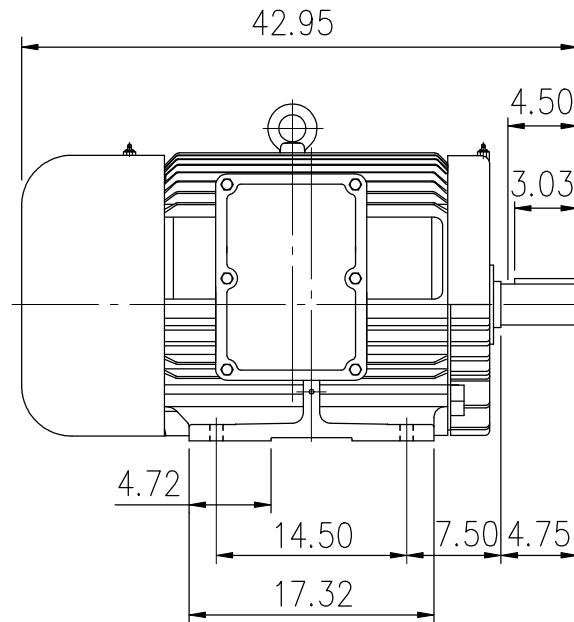
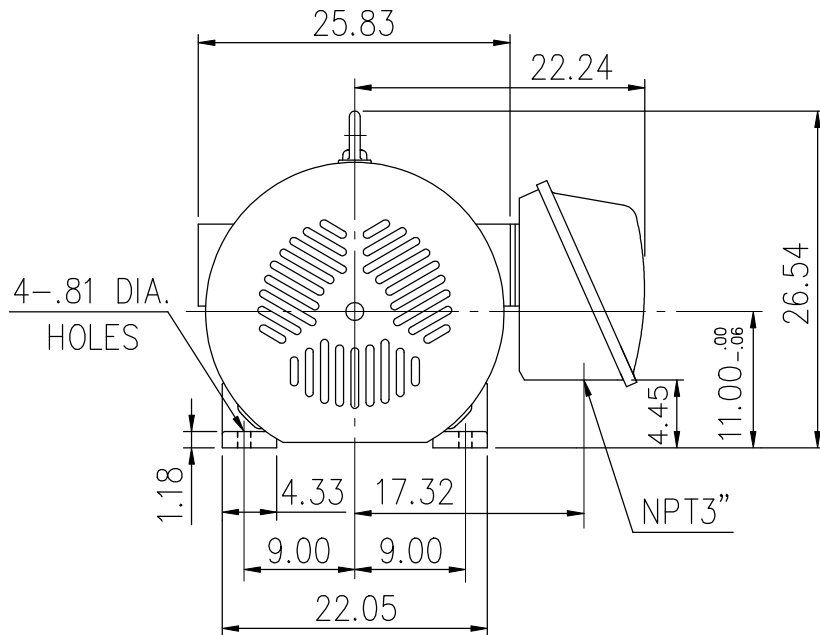
SUPERMAX-841 SEVERE DUTY ALTERNATING CURRENT MOTORS

SQUIRREL-CAGE INDUCTION

ENCLOSURE: TOTALLY ENCLOSED
MOUNTING: FOOT

CAST IRON FRAME
FRAME 444TS

COOLING: FAN COOLED



- < 1) DIMENSIONS ARE IN INCHES.
- < 2) APPROXIMATE WEIGHT= 1876 LBS
- < 3) DRIVE END BEARING 6313C3
OPPOSITE DRIVE END BEARING 6313C3
- < 4) INTERNAL VOLUME OF CONDUIT BOX= 1011 CU, IN.

Preliminary Drawing for Reference Only

OUTPUT	POLE	SYN. SPEED	VOLT	FREQ.	CERTIFIED BY _____ DATE _____	
					DR. BY	W. D. KUD
					CK. BY	L. J. LEE
					APP. BY	T. M. LIAD
					DATE	NOV. 27. 2008
					DIMENSION SHEET	AS-970546