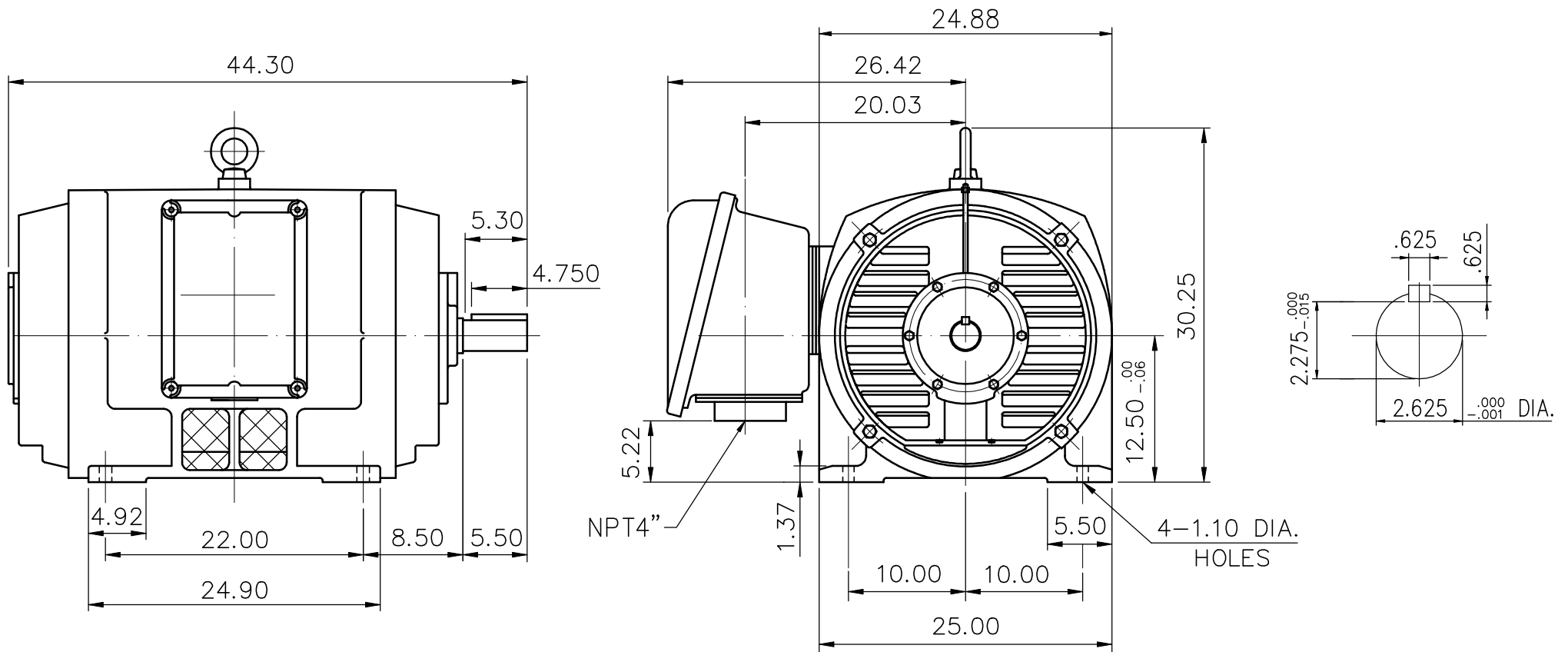


SUPER-MAX ALTERNATING CURRENT MOTORS

SQUIRREL-CAGE INDUCTION


ENCLOSURE: OPEN DRIP PROOF
MOUNTING: FOOT

CAST IRON FRAME
FRAME 5007NS



Preliminary Drawing for Reference Only

- (1) DIMENSIONS ARE IN INCHES.
- (2) APPROXIMATE WEIGHT = 3250LBS
- (3) DRIVE END BEARING 6314C3
OPPOSITE DRIVE END BEARING 6314C3

OUTPUT	POLE	SYN. SPEED	VOLT	FREQ.	CERTIFIED BY _____ DATE _____	
					DR. BY W. D. KUO CK. BY L. J. LEE APP. BY C. L. WANG DATE AUG. 11. 2011	
					DIMENSION SHEET	